



# POWERSTEER AERATOR TA25DA



# PARTS MANUAL

MAN4175385  
Rev. C

Operators Manual 4175836



SCHILLER

GROUNDS  
CARE

**CALIFORNIA**

**Proposition 65 Warning**

Diesel engine exhaust and some of its constituents are known to the State of California to cause cancer, birth defects and other reproductive harm.

**⚠ WARNING**

The engine exhaust from this product contains chemicals known to the State of California to cause cancer, birth defects or other reproductive harm.

**CALIFORNIA**

**Proposition 65 Warning**

Battery posts, terminals, wiring insulation, and related accessories contain lead and lead compounds, chemicals known to the State of California to cause cancer and birth defects or other reproductive harm.

**WASH HANDS AFTER HANDLING.**

# AERATOR

## IMPORTANT MESSAGE

Thank you for purchasing this Classen product. You have purchased a world class product, one of the best designed and built anywhere.

This product comes with Parts and Operator's Manuals. The useful life and good service you receive from this product depends to a large extent on how well you read and understand this manual. Treat this product properly and adjust it as instructed, and it will give you many years of reliable service.

See a Classen dealer for any service or parts needed. Classen service ensures that you continue to receive the best results possible from Classen products. You can trust Classen replacement parts because they are manufactured with the same high precision and quality as the original parts.

Classen designs and builds its equipment to serve many years in a safe and productive manner. For longest life, use this product only as directed in the manual, keep it in good repair and follow safety warnings and instructions. You'll always be glad you did.

**Classen  
1028 Street Road  
Southampton, PA 18966**

<b>TABLE OF CONTENTS</b>	<b>FIGURES</b>	<b>PAGE</b>
SAFETY .....		4, 5
INTRODUCTION .....		6
OWNER'S RECORD .....		6
PRE-DELIVERY CHECKLIST .....		6
DELIVERY CHECKLIST .....		6
PARTS SECTION .....		7
MAIN FRAME ASSEMBLY .....	FIGURE 1 .....	8, 9
POWER TRAIN ASSEMBLY .....	FIGURE 2 .....	10, 11
HANDLE & CONTROL ASSEMBLY .....	FIGURE 3 .....	12, 13
WARRANTY .....		BACK COVER

## NOTICE !!!

Unauthorized modifications may present **extreme** safety hazards to operators and bystanders and could also result in product damage.

Classen strongly warns against, rejects and disclaims any modifications, add-on accessories or product alterations that are not designed, developed, tested and approved by Classen Engineering Department. Any Classen product that is altered, modified or changed in any manner not specifically authorized after original manufacture—including the addition of “after-market” accessories or component parts not specifically approved by Classen—will result in the Classen Warranty being voided.

Any and all liability for personal injury and/or property damage caused by any unauthorized modifications, add-on accessories or products not approved by Classen will be considered the responsibility of the individual(s) or company designing and/or making such changes. Classen will vigorously pursue full indemnification and costs from any party responsible for such unauthorized post-manufacture modifications and/or accessories should personal injury and/or property damage result.



This symbol means:  
**ATTENTION!**  
**BECOME ALERT!**

Your safety and the safety of others is involved.

### Signal word definitions:

The signal words below are used to identify levels of hazard seriousness. These words appear in this manual and on the safety labels attached to Classen machines. For your safety and the safety of others, read and follow the information given with these signal words and/or the symbol shown above.

#### **DANGER**

**DANGER** indicates an imminently hazardous situation which, if not avoided, **WILL** result in death or serious injury.

#### **WARNING**

**WARNING** indicates a potentially hazardous situation which, if not avoided, **COULD** result in death or serious injury.

#### **CAUTION**

**CAUTION** indicates a potentially hazardous situation which, if not avoided, **MAY** result in minor or moderate injury. It may also be used to alert against unsafe practices or property damage.

#### **CAUTION**

**CAUTION** used without the safety alert symbol indicates a potentially hazardous situation which, if not avoided, **MAY** result in property damage

### *Schiller Grounds Care, Inc.*

1028 Street Road  
Southampton, PA 18966 U.S.A  
Phone: 215-357-5110  
Fax: 215-357-8045

MODEL NUMBER

SERIAL NUMBER

**MODEL NUMBER:** This number appears on sales literature, technical manuals and price lists.

**SERIAL NUMBER:** This number appears only on your machine. It contains the model number followed consecutively by the serial number. Use this number when ordering parts or seeking warranty information.

# AERATOR

## MAINTENANCE SAFETY

### In general

- Maintain machine according to manufacturer's schedule and instructions for maximum safety and best results.
- Park machine on level ground.
- Never allow untrained personnel to service machine.
- Guards should only be removed by qualified maintenance technician for maintenance/service. Replace when work is complete.
- Adjust or repair only after the engine has been stopped and the tines have stopped moving.
- Disconnect spark plug wire(s) before doing any maintenance.
- Replace parts if worn, damaged or faulty. For best results, always replace with parts recommended by the manufacturer.
- Do not dismantle the machine without releasing or restraining forces which may cause parts to move suddenly.
- Provide adequate support, e.g. jack stands for lifted machine or parts if working beneath.
- Do not put hands or feet near or under rotating parts.
- Clean up spilled oil or fuel thoroughly.
- Replace faulty mufflers.
- To reduce fire hazards, keep the engine, muffler, and fuel storage area free of grass, leaves, debris buildup or grease.

### Tines

The tines are sharp and can cut. Use extra caution when handling. Remove obstructions with care. Wrap the tines or wear gloves.

- Only replace tines. Never straighten or weld.
- Keep other persons away from tines.



### Fuel

- Petrol (gasoline) and diesel fuels are flammable; petrol (gasoline) vapors are explosive. Use extra care when handling.



- Store only in containers specifically designed for fuel.
- When refueling or checking fuel level:
  - Stop the engine and allow to cool;
  - Do not smoke;
  - Refuel outdoors only;
  - Use a funnel;
  - Do not overfill;
  - If fuel is spilled, do not attempt to start the engine until the spill is cleaned up and vapors have cleared.
- Replace caps on fuel containers and tanks securely.

Sparks from static electricity can start fires or cause explosions. Flowing fuel can generate static electricity.

To prevent static electricity sparks:

- Keep fuel containers electrically grounded. Do not fill containers in a vehicle or on a truck or trailer bed with a plastic liner. Fill containers on the ground away from the vehicle.
- When practical, remove petrol (gas) powered equipment from the truck or trailer and refuel it on the ground. If equipment must be refueled on the truck or trailer, refuel from a portable container rather than a dispenser nozzle.
- Keep the dispenser nozzle in contact with the rim of the fuel tank or container opening until fueling is complete. Do not use a nozzle lock-open device.

### Storage Safety

- Stop the engine and allow to cool before storing.
- Drain the fuel tank outdoors only.
- Store fuel in an approved container in a cool, dry place.
- Keep the machine and fuel containers in a locked storage place to prevent tampering and to keep children from playing with them.
- Do not store the machine or fuel container near heating appliances with an open flame, such as a water heater, or an appliance with a pilot light.
- Keep gasoline (petrol) storage area free of grass, leaves and excessive grease to reduce fire hazard.
- Clean grass and debris from tines, drives, mufflers and engine to help prevent fires.

## INTRODUCTION

### THANK YOU

Thank you for purchasing a CLASSEN Aerator

### READ THIS MANUAL

Read your operator's manual carefully in its entirety. It contains safety, operating, maintenance, and adjustment instructions for your Aerator. By following the operating and maintenance instructions you will prolong the life of your equipment and maintain its maximum efficiency. Failure to do so could result in personal injury or equipment damage.

This manual should be considered a permanent part of your Aerator and should remain with it if you sell it.

### WARRANTY

Refer to last page.

### MEASUREMENTS

U.S. Units of measure are used in this manual.

### SERIAL NUMBERS

Write frame and engine serial numbers, plus model numbers in "Owner's Record" section below. You may need these numbers when you order parts. The serial number stick plate is located on the right rear of the Aerator frame.

### ORDERING PARTS

When ordering parts, always give the serial number and model of your Aerator as well as the quantity, part number and description of the part needed.

### DIRECTIONS

"Right Hand" and "Left Hand" sides of the Aerator are determined by facing the "back" of the Aerator as you would operate the machine.

## OWNER'S RECORD

DATE PURCHASED \_\_\_\_\_

AERATOR MODEL NUMBER \_\_\_\_\_

AERATOR SERIAL NUMBER \_\_\_\_\_

ENGINE MODEL NUMBER \_\_\_\_\_

ENGINE SERIAL NUMBER \_\_\_\_\_

## PRE-DELIVERY CHECK LIST

Check the following before you deliver the Aerator to the customer.

1. Guards and shields fastened in place.
2. Decals fastened and legible.
3. Weight bar installed.
4. Gas lever on engine turned on.
5. All lubrication points greased.
6. 6:1 gearbox oil level.
7. Engine oil level.
8. Air cleaner.
9. Touch up scratches.
10. Chain(s) tight.
11. Lowering handle working properly.
12. Control handle(s) working to tighten V-belt(s).
13. Add fuel, start engine, test run.

DATE SET UP \_\_\_\_\_/\_\_\_\_\_/\_\_\_\_\_

## DELIVERY CHECK LIST

Review the operators manual with the customer.

1. Schiller Grounds Care, Inc. warranty.
2. Safe operation and service.
3. How to use controls.
4. Operating the machine correctly.
5. Transporting the Aerator.
6. Correct fuel and lubricants.
7. Daily and periodic inspections.
8. Changing oil after break-in period.
9. Servicing the Aerator regularly and correctly.
10. Schiller Grounds Care, Inc. parts and service.
11. Give the customer the operators manual and encourage customer to read it.

DATE DELIVERED \_\_\_\_\_/\_\_\_\_\_/\_\_\_\_\_

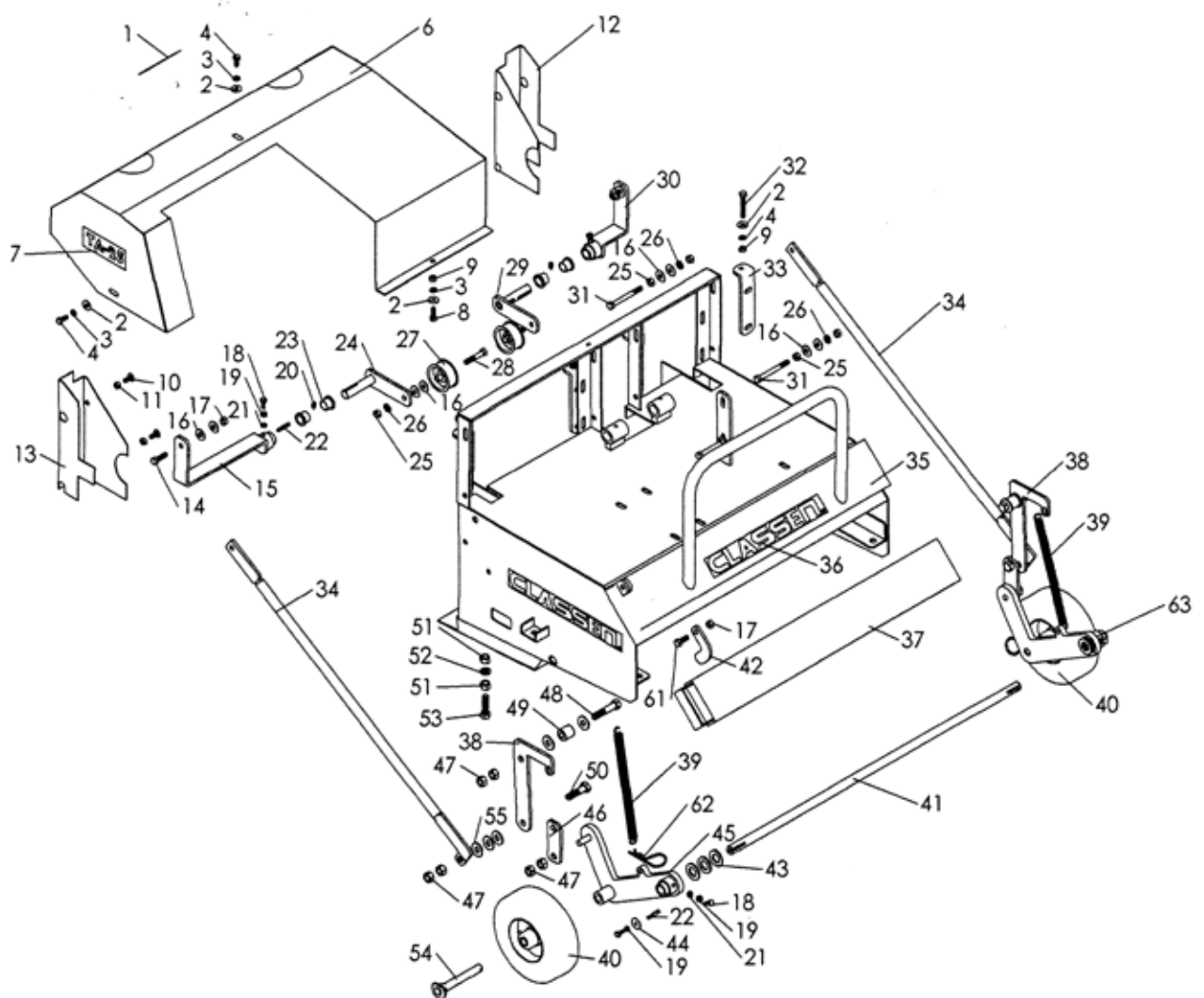
SIGNATURE \_\_\_\_\_

# **PARTS SECTION**

# MAIN FRAME ASSEMBLY

# AERATOR

FIGURE 1





# MAIN FRAME ASSEMBLY

# AERATOR

## FIGURE 1

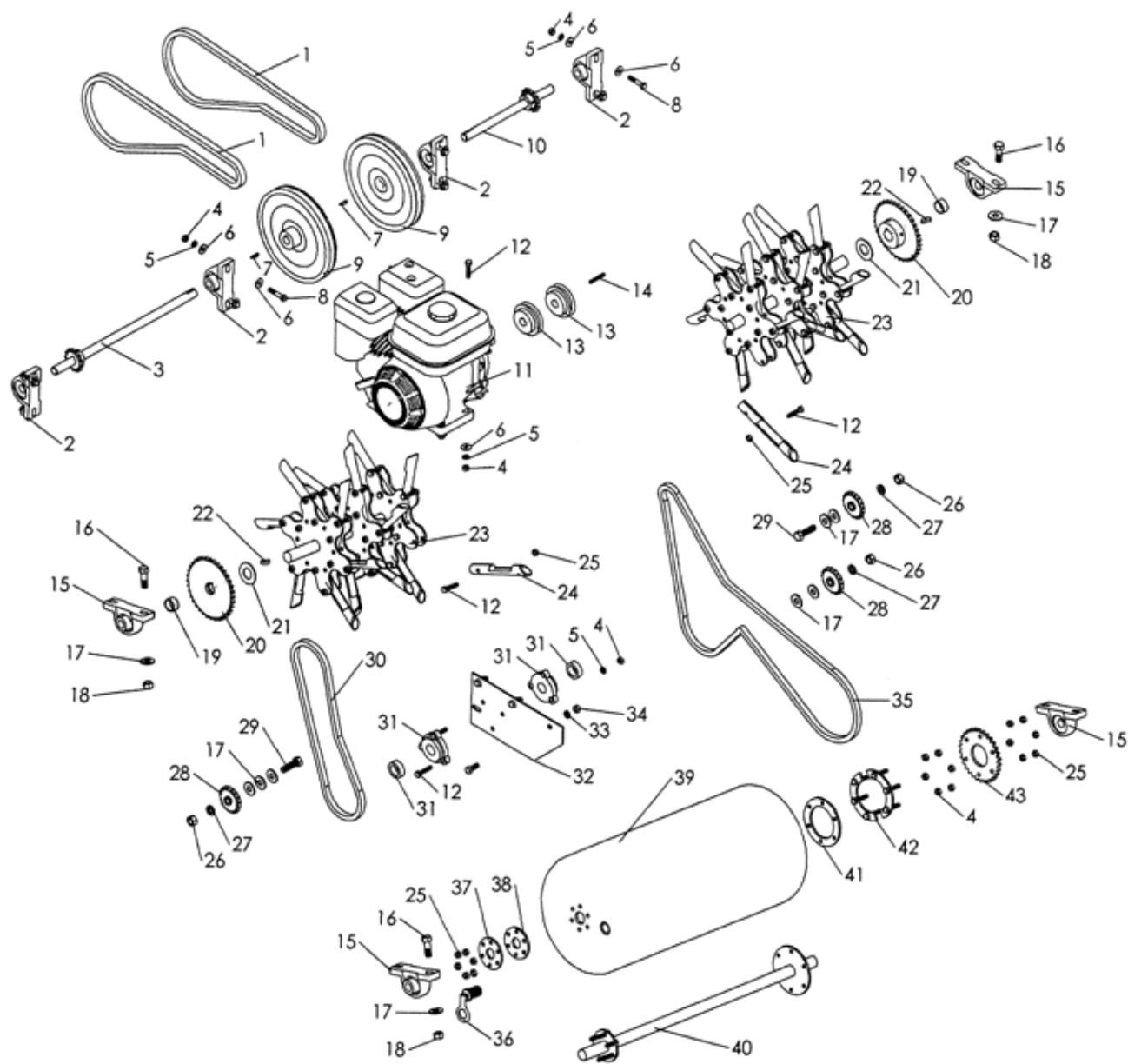
ITEM	PART NO.	DESCRIPTION	QTY	ITEM	PART NO.	DESCRIPTION	QTY
1	20942	DECAL, "DANGER"	1	47	C500131	1/2" LOCK NUT	12
2	C500083	5/16" FLAT WASHER	8	48	C500135	1/2" x 2-1/2" BOLT	2
3	C500115	5/16" LOCK WASHER	8	49	C300005.7	BUSHING SPACER 50	2
4	C500140	5/16" x 3/4" BOLT	3	50	C500149	1/2" x 2" BOLT	2
5	4171825	DECAL, CLASSEN PRO	2	51	C500106	1/2" NUT	4
6	4175359	S-GUARD, PULLEY, ASSEMBLY	1	52	C500006	1/2" LOCK WASHER	2
7	4173339	DECAL, "POWERSTEER"	2	53	C500174	1/2" x 1-3/4" BOLT	2
8	C500147	BOLT, 5/16-18 x 1-1/2	1	54	C100049	PIN, REAR AXLE	2
9	C500101	5/16" NUT	5	55	C500034	1/2" FLAT WASHER	8
10	C500163	5/16" x 3/4" CARRIAGE BOLT	4	56*	2000577	DECAL, "ALL GUARDS"	1
11	C500169	5/16" LOCK NUT	4	57*	4171157	DECAL, "POWERSTEER".	1
12	C400393.17	CHAIN GUARD, (L.H.)	1	58*	C100055	DECAL, "SERIAL NUMBER"	1
13	C400394.17	CHAIN GUARD, (R.H.)	1	59*	C100257	DECAL, "PATENT"	1
14	C500134	3/8" x 1-1/4" BOLT	2	60*	C100073	LUBRICATION TAG	1
15	C400085.17	CLUTCH ARM, (R.H.)	1	61	C500043	3/8" x 1" BOLT	1
16	C500042	3/8" FLAT WASHER	12	62	C500096	5/32" x 3" BRIDGE PIN CLIP	2
17	C500041	3/8" LOCK NUT	2	63	C400025.7	AXLE SUPPORT ARM (LH)	1
18	C500029	1/4" x 3/4" BOLT	4	64	C500165	3/8" X 4-1/2" BOLT	1
19	C500136	1/4" NUT	4				
20	C500001	1/4" x 28 GREASE FITTING	2				
21	C500137	1/4" LOCK WASHER	4				
22	C500011	3/16" x 1" SQ. KEY	4				
23	C100021	BRASS BUSHING	4				
24	C400021.17	IDLER ARM, (R.H.)	1				
25	C500129	3/8" NUT	7				
26	C500130	3/8" LOCK WASHER	4				
27	C100010	IDLER PULLEY	2				
28	C500091	3/8" x 2" BOLT	2				
29	C400087.17	IDLER ARM, (L.H.)	1				
30	C400083.17	CLUTCH ARM, (L.H.)	1				
31	C500170	3/8" x 4-1/2" BOLT	2				
32	C500114	5/16" x 2-1/4" TAP BOLT	4				
33	C300049.17	CHAIN TIGHTENING PLATE	4				
34	4174338.7	LINKAGE ARM SPLIT DRIVE	2				
35	C400079.17	TA-25D MAIN FRAME	1				
36	4171963	DECAL, "CLASSEN"	3				
37	4174349.7	WEIGHT BAR	1				
38	C400015.7	SPRING ARM	2				
39	C100040	FRAME SPRING	2				
40	C100031	8" REAR TIRE ASSEMBLY	2				
41	C200012	KEYED SHAFT	1				
42	C300009.17	WEIGHT STOP FLAT	1				
43	C500194	3/4" FLAT WASHER	6				
44	C500164	1/4" FENDER WASHER	2				
45	C400026.7	AXLE SUPPORT ARM, (RH)	1				
46	C300006.7	PIVOT FLAT	2				

\*NOT ILLUSTRATED

# POWER TRAIN ASSEMBLY

# AERATOR

FIGURE 2



# AERATOR

# POWER TRAIN ASSEMBLY

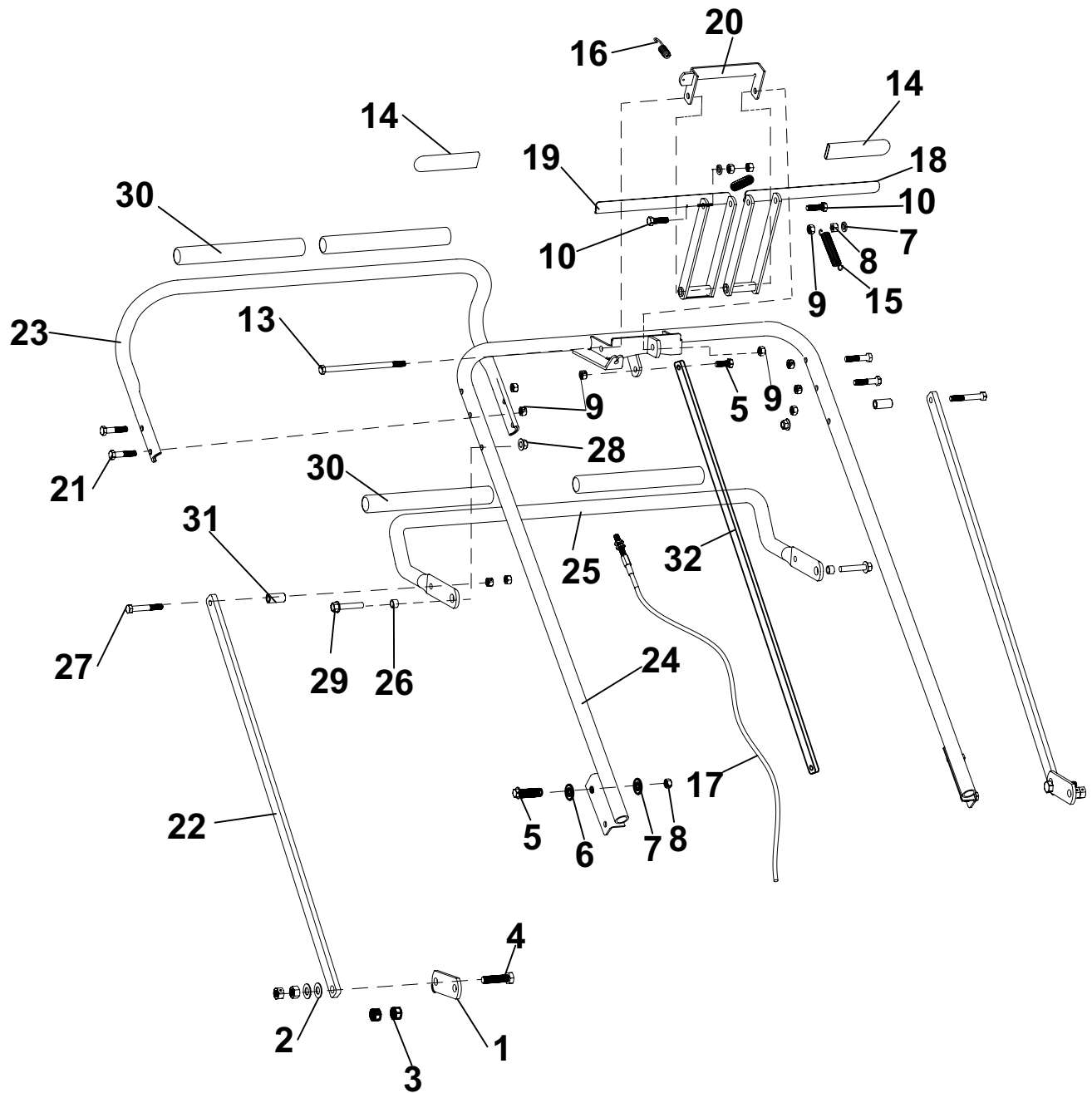
## FIGURE 2

ITEM	PART NO.	DESCRIPTION	QTY	ITEM	PART NO.	DESCRIPTION	QTY
1	C100039	BX-43 V-BELT	2				
2	C100013	3/4" BEARING w/ COLLAR	4				
3	C200022	JACK SHAFT ASSEMBLY, (R.H.)	1				
4	C500101	5/16" NUT	21				
5	C500115	5/16" LOCK WASHER	15				
6	C500083	5/16" FLAT WASHER	20				
7	C500173	3/16" x 7/8" HALF MOON KEY	2				
8	C500074	5/16" x 1-3/4" BOLT	8				
9	4174928.7	8" PULLEY & HUB w/o KEY	2				
10	C200021	JACK SHAFT ASSEMBLY, (L.H.)	1				
11	C100037	4.0 HP HONDA ENGINE	1				
12	C500147	5/16" x 1-1/2" BOLT	79				
13	C100038	3" x 3/4" PULLEY w/ HUB	2				
14	C500231	3/16" x 1-3/4" SQ. KEY	1				
15	C100004	1" BEARING w/ COLLAR	4				
16	C500150	1/2" x 1-1/2" BOLT	8				
17	C500034	1/2" FLAT WASHER	15				
18	C500131	1/2" LOCK NUT	8				
19	C300011.7	OUTSIDE DRUM SHAFT SPACER	2				
20	C200009	#40 x 36 SPROCKET & HUB	2				
21	C300131	2" MACHINERY WASHER	2				
22	C500003	1/4" x 7/8" HALF MOON KEY	2				
23	C700017.7	TINE DISC SHAFT ASSEMBLY	2				
24	C100032.7	PLUGGING TINE	36				
25	C500169	5/16" LOCK NUT	84				
26	C500106	1/2" NUT	3				
27	C500006	1/2" LOCK WASHER	3				
28	C100043	IDLER PULLEY	3				
29	C500174	1/2" x 1-3/4" BOLT	2				
30	C100151	#40 x 75 PITCH CHAIN w/ LINK	1				
31	C100155	1" FLANGE BEARING w/ COLLAR	2				
32	C300057.7	3/16" LOWER PLATE	1				
33	C500130	3/8" LOCK WASHER	3				
34	C500129	3/8" NUT	3				
35	C100108	#40 x 139 PITCH CHAIN	1				
36	C100109	WATER DRUM PLUG	1				
37	C100083	SMALL STEEL WASHER	1				
38	C100087	SMALL RUBBER GASKET	1				
39	C100086	WATER DRUM 40	1				
40	C700010	DRUM AXLE	1				
41	C100084	LARGE RUBBER GASKET	1				
42	C700011	INNER HALF-PLATE w/ STUDS	2				
43	C200015	#40 x 30 SPROCKET	1				

# HANDLE & CONTROL ASSEMBLY

# AERATOR

FIGURE 3



# AERATOR

# HANDLE & CONTROL ASSEMBLY

## FIGURE 3

ITEM	PART NO.	DESCRIPTION	QTY	ITEM	PART NO.	DESCRIPTION	QTY
1	C300006.7	FLAT, PIVOT	2				
2	C500034	WASHER, 1/2 FLAT	5				
3	C500131	NUT, 1/2-13 LOCK	8				
4	C500149	BOLT, 1/2-13 x 2	2				
5	C500043	BOLT, 3/8-16 X 1	4				
6	C500042	WASHER, 3/8" FLAT	3				
7	C500130	WASHER, 3/8 LOCK	6				
8	C500129	NUT, 3/8-16	5				
9	C500041	NUT, 3/8-16 LOCK	12				
10	C500134	BOLT, 3/8-16 x 1-1/4	2				
11	C500101	NUT, 5/16-18	5				
12	C500169	NUT, 5/16-18 LOCK	10				
13	C500162	BOLT, 3/8-16 X 6-1/2	1				
14	C100007	GRIP, RUBBER	2				
15	C100034	SPRING, CLUTCH CABLE	2				
16	C100035	SPRING, THROTTLE	1				
17	C100149	CABLE W/ENDS, THROTTLE	1				
18	C400081.7	HANDLE, L.H. CONTROL	1				
19	C400090.7	HANDLE, R.H. CONTROL	1				
20	C400088.7	ARM, THROTTLE	1				
21	C500079	BOLT, 3/8-16 X 1-3/4	4				
22	4174338.7	LINKAGE ARM	2				
23	4174321.7	UPPER HANDLE	1				
24	4174328.7	LOWER HANDLE, MAIN	1				
25	4174322.7	HANDLE, LIFT, TA25	1				
26	4172652	SPACER - 9/16 OD x 3/8 ID x 3/8	2				
27	C500154	BOLT, 3/8-16 x 2-1/2	2				
28	94268-03	NUT-FL NYLON LOCK	2				
29	94262-014	BLT-FLG HD	2				
30	4173160	GRIP - 1" X 10"	4				
31	C400446	SPACER, 5/16 X 2	2				
32	4174339.7	HANDLE BRACE SPLIT DRV	1				

# Classen Warranty Statement

## 2-Year Limited Warranty

This Classen Product is warranted against defects in materials and workmanship for a period of two (2) years from the date of purchase from an authorized dealer under the following terms and conditions. Schiller Grounds Care's responsibility under this limited warranty is restricted to repairing or replacing, at its option, any covered part found to be defective in material or workmanship during the warranty period. All parts replaced under warranty will be considered as part of the original product and any warranty on the replaced parts will expire coincidentally with the original product warranty.

SCHILLER GROUNDS CARE, INC. MAKES NO EXPRESS OR IMPLIED WARRANTIES, REPRESENTATIONS, OR PROMISES EXCEPT THOSE CONTAINED HEREIN. THERE ARE NO OTHER WARRANTIES, INCLUDING WARRANTIES OF MERCHANTABILITY AND FITNESS FOR A PARTICULAR PURPOSE. ALL WARRANTIES OTHER THAN THE EXPRESS WARRANTY SET FORTH ABOVE ARE SPECIFICALLY DISCLAIMED. THE DURATION OF ANY IMPLIED WARRANTY, INCLUDING MERCHANTABILITY AND FITNESS FOR A PARTICULAR PURPOSE, IS LIMITED TO THE DURATION OF THIS WRITTEN LIMITED WARRANTY.

**To Obtain Warranty Service** - Warranty service must be performed by an authorized Classen dealer. To locate a dealer, please visit: [www.classenturfcare.com](http://www.classenturfcare.com) and click on FIND A DEALER. For further assistance, write or email the Technical Services Department of Schiller Grounds Care

Schiller Grounds Care, Inc.  
1028 Street Road  
Southampton, PA 18966  
[techservicesupport@schillergc.com](mailto:techservicesupport@schillergc.com)

## ABOUT YOUR WARRANTY

The warranty period begins on the date of purchase by the original retail or commercial customer from an authorized Classen dealer and is not transferable. Warranty service must be performed by an authorized Classen dealer. If a warranty replacement becomes necessary, the authorized dealer must be prepared to provide the physical component for verification (freight prepaid) upon request from Schiller Grounds Care. Warranty service will be performed without charge to the original purchaser for parts and labor. The original purchaser is responsible for the expense of delivering the equipment, part, or accessory to and from an authorized dealer's service center. The purchaser is responsible for any premium charged for overtime labor requested by the purchaser and for any service and/or maintenance not directly related to any defect covered under this limited warranty. Proof of purchase will be required to substantiate any warranty claim. Without proof of the initial purchase date from an authorized dealer, the manufacturing date of the product will be used to establish the warranty period.

## EXCLUSIONS

This warranty only covers defects in materials or workmanship.

**Engines and Other Manufacturers** - Schiller Grounds Care makes no warranty with respect to engines or engine parts such as spark plugs, lubricants, starters, and carburetors. The engine warranty is covered by the engine manufacturer. Consult the Operator's Manual for the engine provided with your product or ask an authorized dealer for the terms and conditions of these warranties. Schiller Grounds Care makes no warranty with respect to other parts not of its manufacture such as tires, batteries, gearboxes, or similar. These other parts may be covered by the warranties of their respective manufacturers.

**Wear Items** - This limited warranty does not cover damages or defects from normal wear and tear. This limited warranty does not include routine maintenance and normal maintenance parts, including but not limited to tires, batteries, transmissions, clutches, filters, gearboxes, blades, tines, belts, chains, cables, or bearings.

**Negligence and Improper Maintenance or Repair** - This limited warranty does not cover any equipment that has been subject to lack of reasonable and proper maintenance, misuse, lack of proper storage, or accidents. This limited warranty does not cover any damage to the equipment that is caused by a freight carrier or is the result of failure to follow the operating instructions within the Owner's Manual. This limited warranty does not cover any defects due to repairs, modifications, or alternations made to the product by anyone other than Schiller Grounds Care or its authorized dealers. In addition, this limited warranty does not cover repairs made necessary due to a lack of proper protection during storage. This limited warranty does not cover damage caused by the use of parts, supplies, or accessories, including, without limitation, filters, spark plugs, carburetors, ignition, drive belts, brakes, gasoline, fuel, oil, or lubricants, which in the reasonable judgment of Schiller Grounds Care, are either incompatible with the product, adversely affect its operation, performance, durability or are other than as recommended in the Operator's Manual or other operational instructions provided by Schiller Grounds Care.

# Classen Warranty Statement

**Improper Use** - This limited warranty does not cover any Classen Product, part, or accessory that (i) has been subject to misuse, abuse, neglect, negligence, or accident, or that has not been assembled, operated, or maintained in accordance with the operating or maintenance instructions specified in the Operator's Manual; or (ii) has been altered or modified so as to adversely affect its operation, performance or durability, or that has been altered or modified in ways not approved by Schiller Grounds Care. To the extent permitted by law, neither Schiller Grounds Care nor any company affiliated with it makes any warranties, representations, or promises as to the quality, performance, or freedom from defect of the Classen Product, part, or accessory covered by this limited warranty. The authorized dealer makes no warranty of its own and such dealer has no authority to make any representation, warranty, or promise on behalf of Schiller Ground Care or to modify the terms or limitations of this limited warranty in any way.

**Other Exclusions** - This limited warranty does not include reconditioned, refurbished, used, or demonstration equipment. This limited warranty excludes failures due to acts of nature beyond the manufacturer's control.

**Extended Warranty** - Schiller Grounds Care disclaims responsibility for any separately purchased extended warranty. ALL WARRANTIES OTHER THAN THE EXPRESS WARRANTY SET FORTH ABOVE ARE SPECIFICALLY DISCLAIMED. THE DURATION OF ANY IMPLIED WARRANTY, INCLUDING MERCHANTABILITY AND FITNESS FOR A PARTICULAR PURPOSE, IS LIMITED TO THE DURATION OF THIS WRITTEN LIMITED WARRANTY.

**Disclaimer of Consequential Damage** - Schiller Grounds Care disclaims any responsibility for incidental or consequential damages including, but not limited to, the expense for gasoline, the expense of delivering the product to an authorized service dealer, the expense of returning the product to the purchaser, mechanic's travel time, telephone charges, rental of a like product during the repair timeframe, travel, loss of revenue, loss of time, or inconvenience. SCHILLER GROUNDS CARE, INC. DISCLAIMS ALL LIABILITY FOR INDIRECT, INCIDENTAL, AND/OR CONSEQUENTIAL DAMAGES IN CONNECTION WITH THE USE OF THE CLASSEN PRODUCTS COVERED BY THIS LIMITED WARRANTY. SOME STATES DO NOT ALLOW LIMITATIONS ON HOW LONG AN IMPLIED WARRANTY LASTS AND/OR DO NOT ALLOW THE EXCLUSION OR LIMITATION OF INCIDENTAL OR CONSEQUENTIAL DAMAGES, SO THE ABOVE LIMITATIONS AND EXCLUSIONS MAY NOT APPLY TO YOU. THIS WARRANTY GIVES YOU SPECIFIC LEGAL RIGHTS, AND YOU MAY ALSO HAVE OTHER RIGHTS WHICH VARY FROM STATE TO STATE.