



V-Series



Stainless Steel Submersible Pumps
V4S/V6S/V8S/V10S

50Hz



Evak Pump Technology Corp.
No. 551, Zhongshan Rd., Qingshui Township,
Taichung County 436, Taiwan.
Tel : +886-426-233556
Fax: +886-426-235559
www.evak-pumps.com

V-Series

Index / Stainless Steel Submersible Pumps

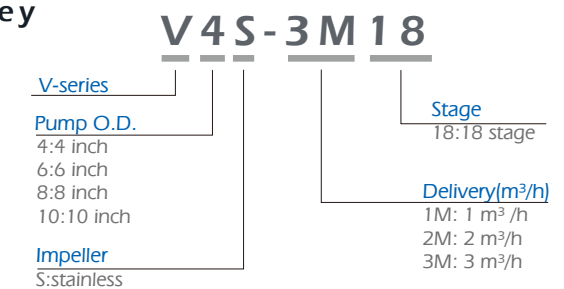
VS-Series

Index / Type Key—02

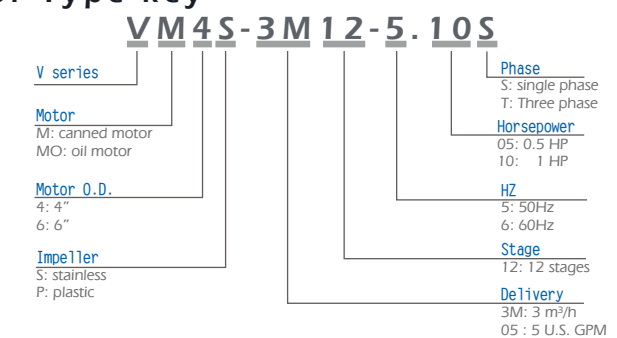
4" SST Submersible Pump	6" SST Submersible pump	8" SST Submersible pump
General Data—03	General Data—11	General Data—17
V4S-1M—05	V6S-17M—13	V8S-77M—19
V4S-2M—06	V6S-30M—14	V8S-95M—21
V4S-3M—07	V6S-46M—15	
V4S-5M—08	V6S-60M—16	
V4S-8M—09		
V4S-14M—10		
		10" SST Submersible pump
		General Data—23
		V10S-125M—25
		V10S-160M—27
		V10S-215M—29

Type Key

Pump Type key



Pump & Motor Type key



Pumps & Pumps

EVAK V-Series 4" Stainless Steel Submersible Pumps



V4S

V4S

Evak's VS 4" range of submersible pumps are made of corrosion and abrasion resistant stainless steel and have been developed in accordance with state-of-the-art technology. The VS 4" Pumps are manufactured to the highest standards for energy efficiency, reliable performance, rugged construction & long service life.

Pumped Liquids:
Clean, non-corrosive and non-abrasive liquids

Operating Conditions:
Max. liquid temperature: 60 °C
Sand content: Max. 50 g/m³

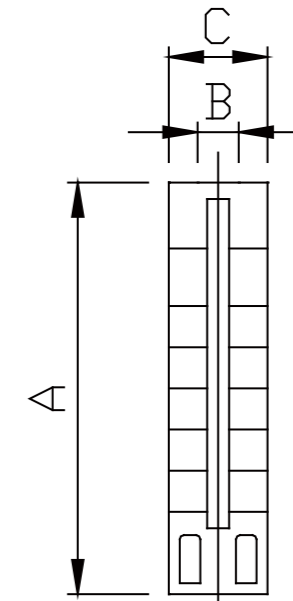
Features

- > All stainless steel design
- > Built-in Jam-free check valve
- > Smooth Safety hook
- > NEMA Standards Mounting Specification
- > High quality shaft bearing for low friction
- > High wear resistance SST Impeller
- > Diffuser ensuring optimal performance
- > SST Strainer prevents the Entry of Sand & other extraneous material

Applications

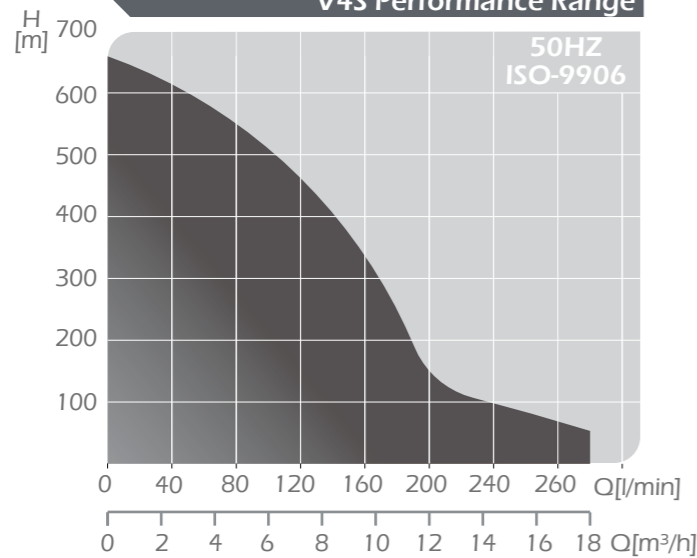
- > Potable water supply from deep wells
- > Agricultural-Irrigation, livestock watering, etc.
- > Municipal and Industrial
- > Pressure boosting & Fountains, etc.

V4S Dimensions

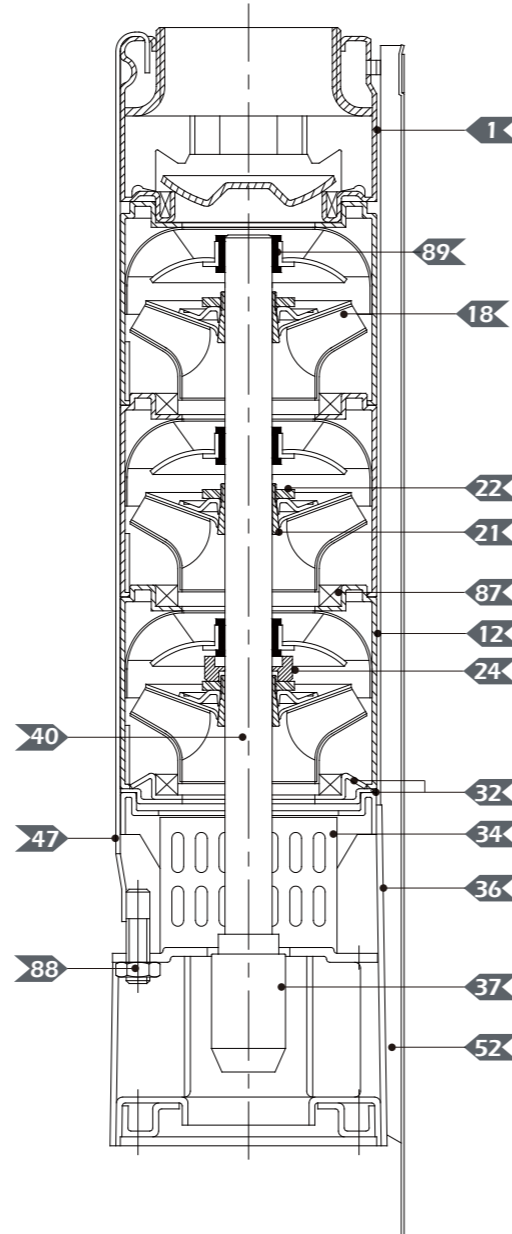


Unit(mm)

V4S Performance Range



Example V4S-14M



Parts and Material List

No	Part	Material	Standard
1	Discharge	Stainless Steel	304
12	Diffuser	Stainless Steel	304
18	Impeller	Stainless Steel	304
21	Split Cone	Stainless Steel	304
22	Split Cone Nut	Stainless Steel	304
24	Stop Ring	Carbon/Graphite/PTFE	
32	Neck Ring Retainer	Stainless Steel	304
34	Strainer	Stainless Steel	304
36	Suction Interconnector	Stainless Steel	304
40	Pump Shaft	Stainless Steel	431
37	Coupling	Stainless Steel	304
47	Strap	Stainless Steel	304
52	Cable Guard	Stainless Steel	304
87	Neck Ring	SUS304+NBR	
88	Nut	Stainless Steel	304
89	Bearing	NBR	

V4S-1M Dimensions and Weight

Type	A	B	C	Net Weight(kg)
V4S-1M09	356	RP 1 1/4"	98	2.9
V4S-1M14	461		98	3.7
V4S-1M18	545		98	4.4
V4S-1M21	608		98	5.0
V4S-1M28	755		98	6.2
V4S-1M36	946		98	9.9
V4S-1M42	1072		98	11.3

V4S-2M Dimensions and Weight

Type	A	B	C	Net Weight(kg)
V4S-2M09	356	RP 1 1/4"	98	3.0
V4S-2M13	440		98	3.8
V4S-2M18	545		98	4.7
V4S-2M23	650		98	5.7
V4S-2M28	755		98	6.6
V4S-2M33	883		98	9.7
V4S-2M40	1030		98	11.5
V4S-2M48	1198		98	13.5

V4S-3M Dimensions and Weight

Type	A	B	C	Net Weight(kg)
V4S-3M06	293	RP 1 1/4"	98	2.4
V4S-3M09	356		98	3.0
V4S-3M12	419		98	3.6
V4S-3M15	482		98	4.2
V4S-3M18	545		98	4.7
V4S-3M22	629		98	5.5
V4S-3M25	692		98	6.1
V4S-3M29	776		98	6.8
V4S-3M33	883		98	9.7
V4S-3M39	1109		98	11.2
V4S-3M45	1135	98	12.7	
V4S-3M52	1282	98	14.5	

V4S-5M Dimensions and Weight

Type	A	B	C	Net Weight(kg)
V4S-5M04	251	RP 1 1/2"	98	2.0
V4S-5M06	293		98	2.4
V4S-5M08	335		98	2.8
V4S-5M12	419		98	3.6
V4S-5M17	524		98	4.5
V4S-5M21	608		98	5.3
V4S-5M25	692		98	6.0
V4S-5M33	868		98	9.6
V4S-5M38	973		98	10.9
V4S-5M44	1099		98	12.4

V4S-8M Dimensions and Weight

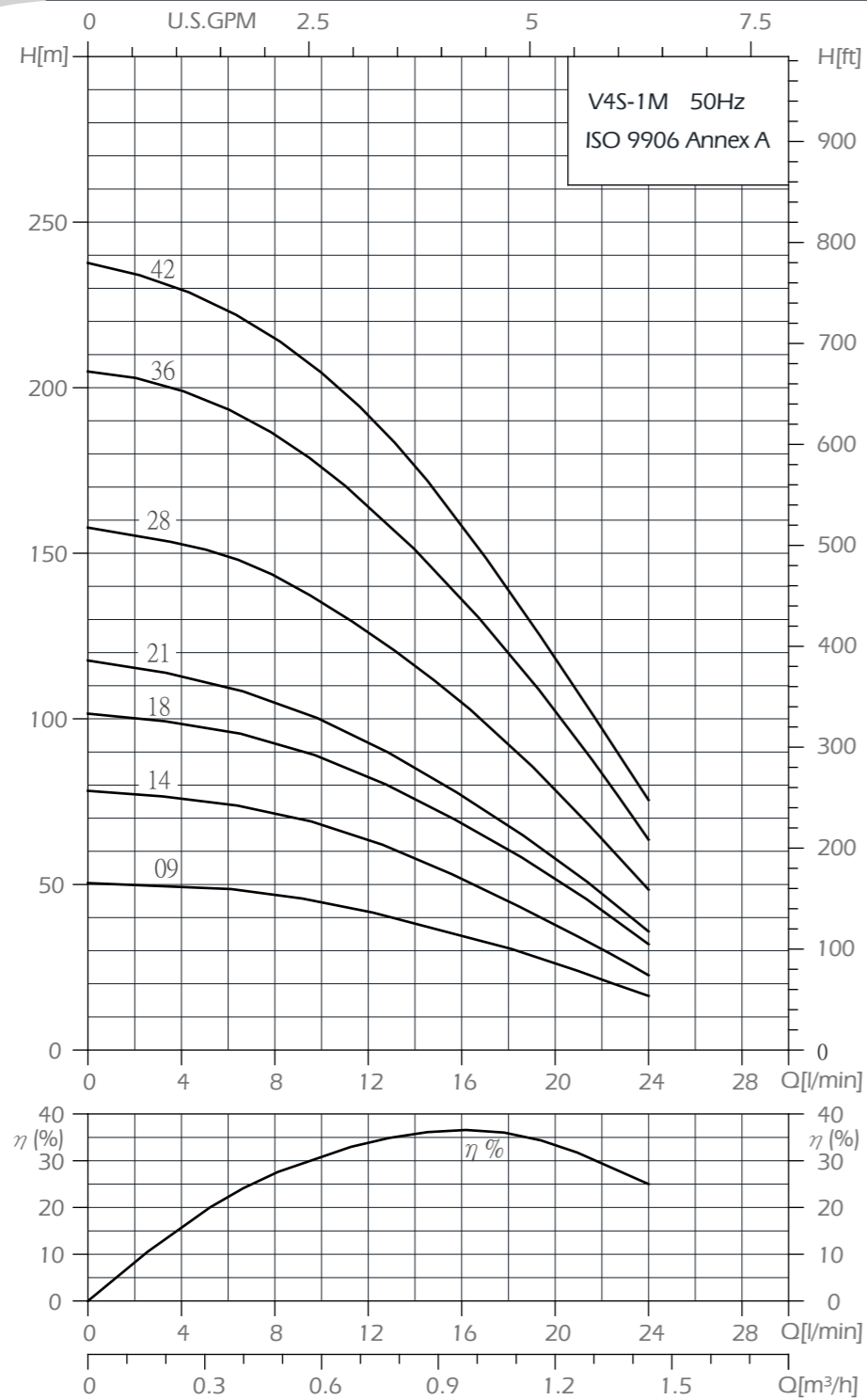
Type	A	B	C	Net Weight(kg)
V4S-8M05	412	RP 2"	98	4.3
V4S-8M07	496		98	5.3
V4S-8M10	622		98	6.8
V4S-8M12	706		98	7.8
V4S-8M15	832		98	9.3
V4S-8M18	958		98	10.8
V4S-8M21	1084		98	12.3
V4S-8M25	1252		98	14.3
V4S-8M30	1462		98	16.8
V4S-8M37	1753		98	20.3
V4S-8M50	2315	98	24.7	

V4S-14M Dimensions and Weight

Type	A	B	C	Net Weight(kg)
V4S-14M05	505	RP 2"	98	5.0
V4S-14M07	635		98	6.3
V4S-14M10	830		98	8.2
V4S-14M13	1025		98	10.2
V4S-14M18	1350		98	13.4
V4S-14M25	1805		98	17.8

C = Maximum diameter of pump inclusive of cable guard and motor

V4S-1M Performance Curves & Selection Chart

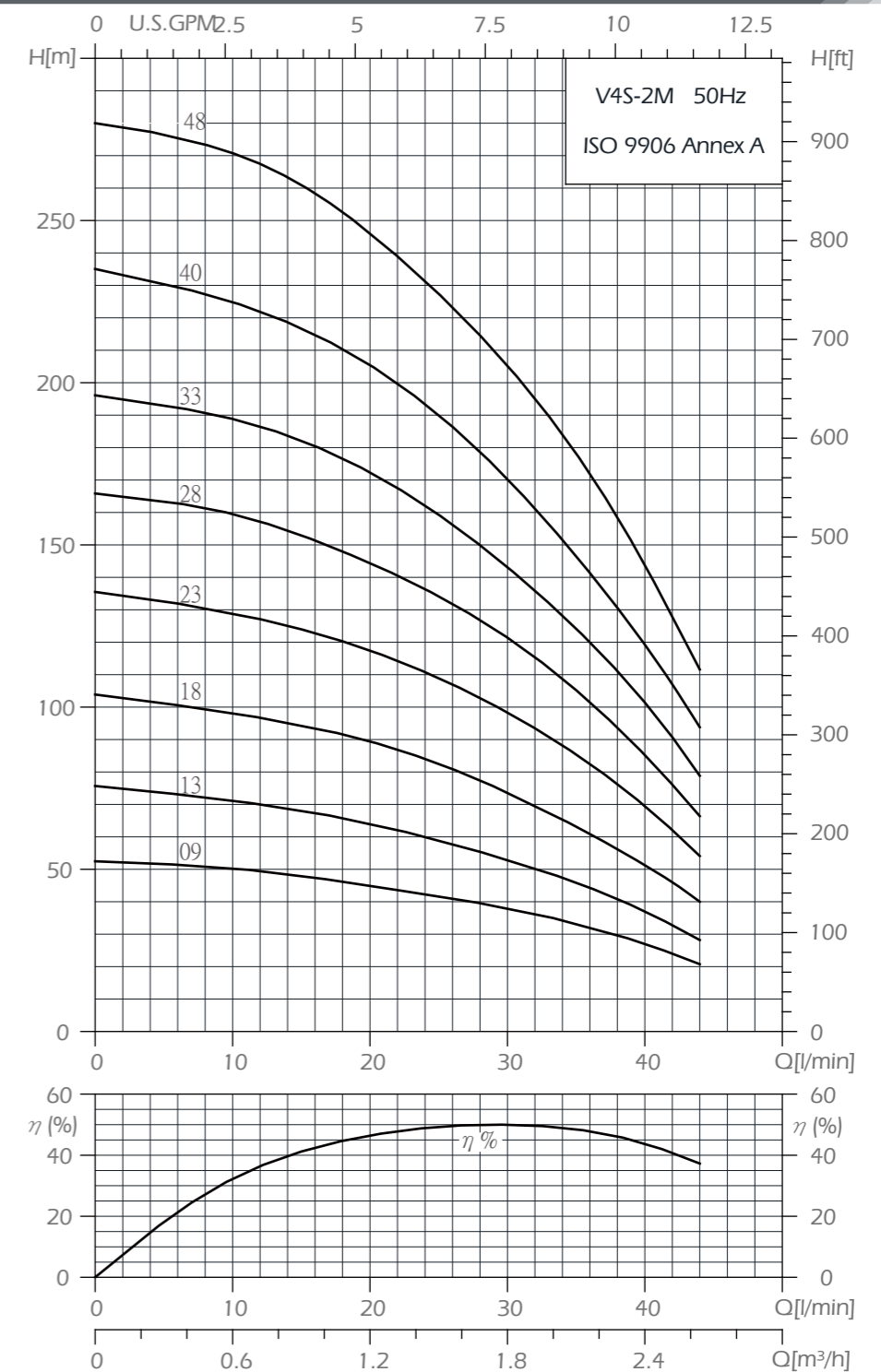


V4S-1M Selection Chart

Type	Stages	Output		L/MIN	H: TOTAL HEAD IN METERS														Weight
		HP	KW		0	0.3	0.6	0.9	1.2	1.5	1.8	2.1	2.4	2.7	3.0	3.6	4.2	Kg	
V4S-1M09	9	0.5	0.37	M³/H	52	48	45	36	27	14									2.9
V4S-1M14	14	0.5	0.37		79	76	68	56	38	21									3.7
V4S-1M18	18	0.75	0.55		102	96	88	72	52	27									4.4
V4S-1M21	21	0.75	0.55		118	112	100	81	58	30									5.0
V4S-1M28	28	1.0	0.75		158	153	138	111	78	42									6.2
V4S-1M36	36	1.5	1.1		205	195	175	134	103	54									9.9
V4S-1M42	42	1.5	1.1		238	235	203	167	118	67									11.3

All technical information is subject to change without notice.

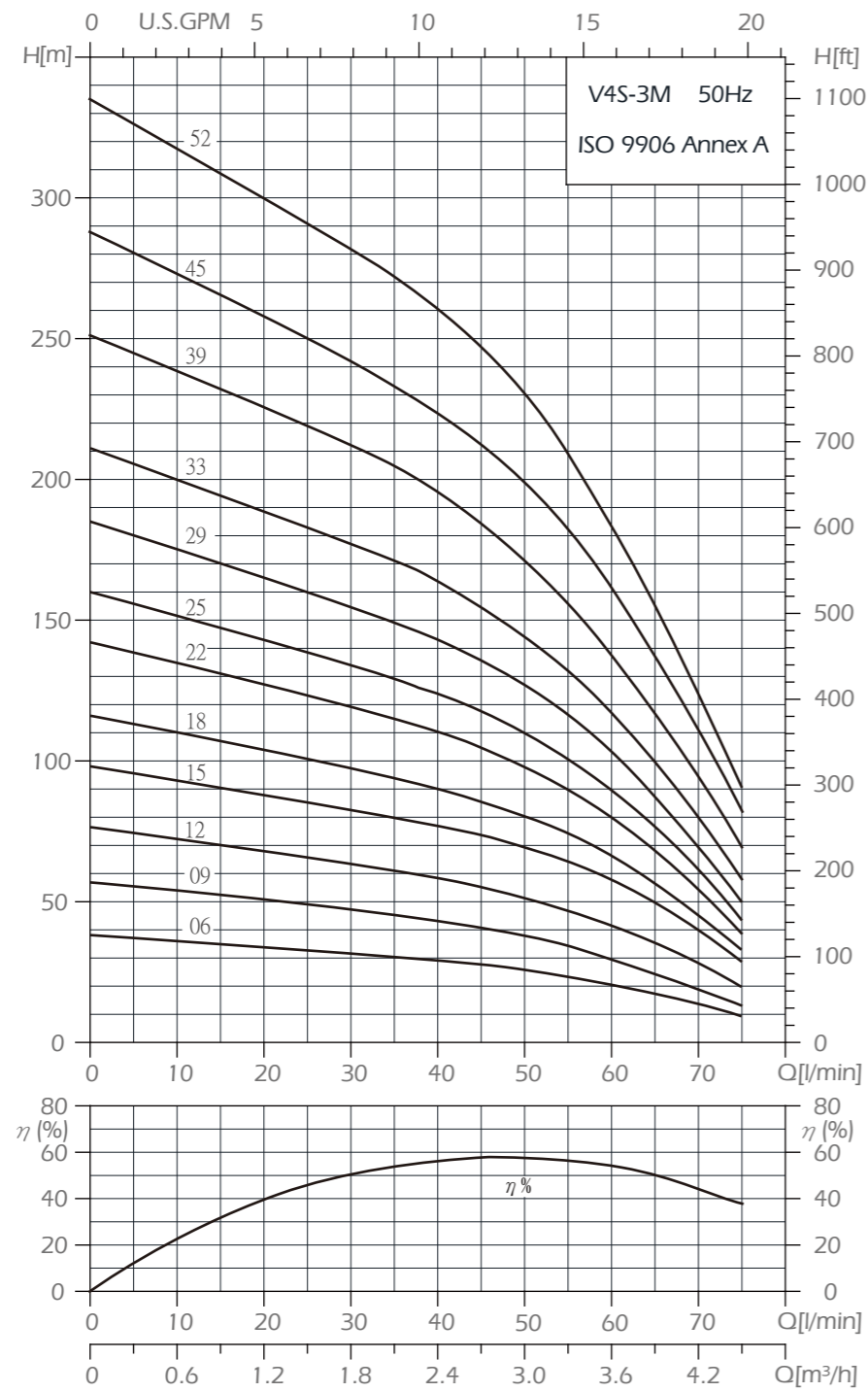
V4S-2M Performance Curves & Selection Chart



V4S-2M Selection Chart

Type	Stages	Output		L/MIN	H: TOTAL HEAD IN METERS														Weight
		HP	KW		0	0.3	0.6	0.9	1.2	1.5	1.8	2.1	2.4	2.7	3.0	3.6	4.2	Kg	
V4S-2M09	9	0.5	0.37	M³/H	53			48	45	42	38	33	26						3.0
V4S-2M13	13	0.75	0.55		77			68	64	58	54	46	38						3.8
V4S-2M18	18	1.0	0.75		104			94	89	83	74	64	51						4.7
V4S-2M23	23	1.5	1.1		136			124	118	108	98	84	69						5.7
V4S-2M28	28	2.0	1.5		166			154	145	134	122	105	86						6.6
V4S-2M33	33	2.0	1.5		195			183	173	159	143	124	102						9.7
V4S-2M40	40	3.0	2.2		235			218	205	190	170	147	119						11.5
V4S-2M48	48	3.0	2.2		280			261	246	228	204	178	143						13.5

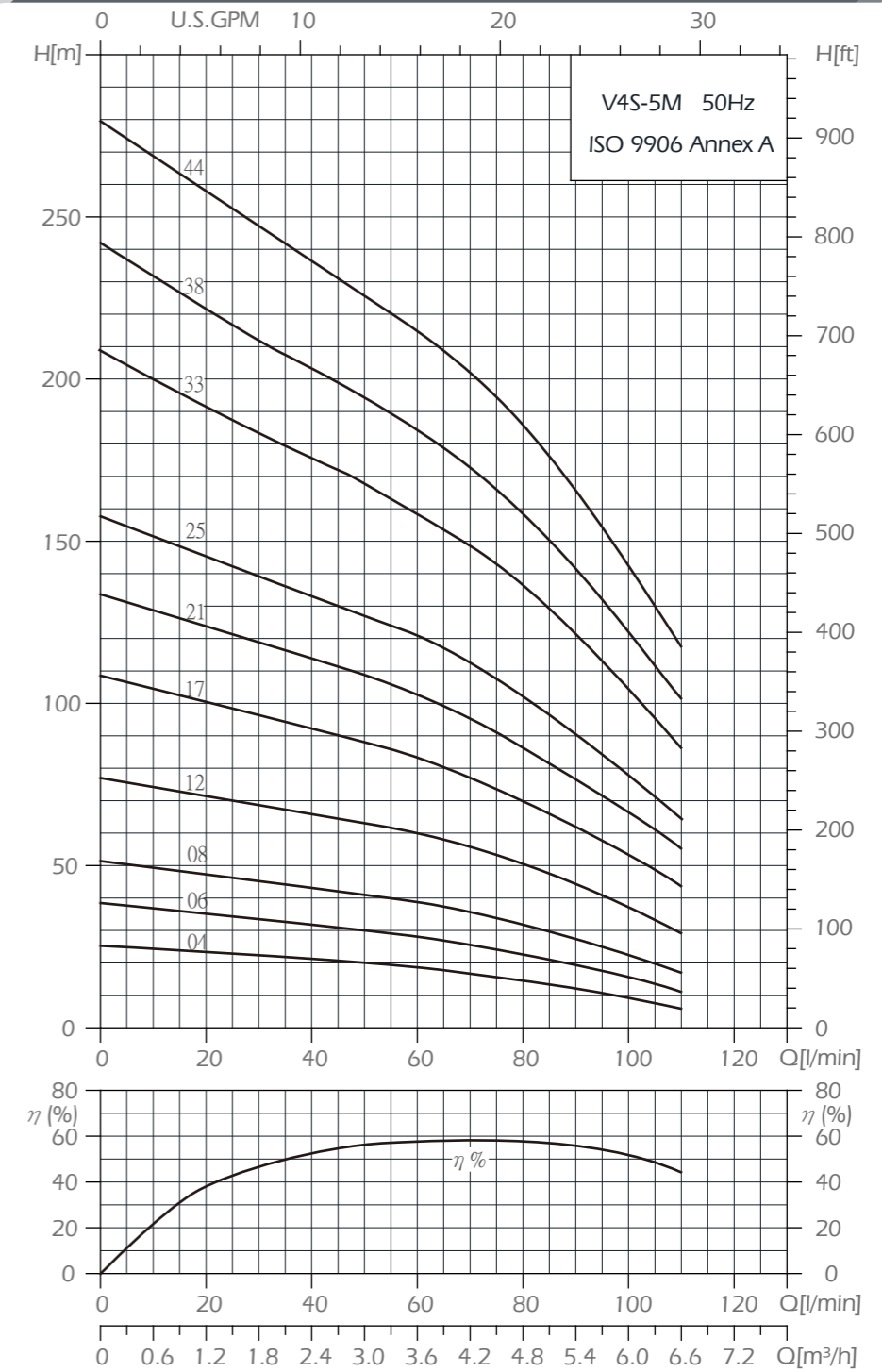
V4S-3M Performance Curves & Selection Chart



V4S-3M Selection Chart

Type	Stages	Output		L/MIN M³/H	H: TOTAL HEAD IN METERS														Weight Kg
		HP	KW		0	5	10	15	20	25	30	35	40	45	50	60	70		
V4S-3M06	6	0.5	0.37	0.38						33	32	31	30	28	26	22	14	2.4	
V4S-3M09	9	0.75	0.55	0.57						49	47	46	44	41	38	30	19	3.0	
V4S-3M12	12	1.0	0.75	0.77						66	64	62	58	56	52	43	28	3.6	
V4S-3M15	15	1.5	1.1	0.97						85	83	80	77	74	69	57	40	4.2	
V4S-3M18	18	1.5	1.1	1.16						101	97	94	90	85	80	67	45	4.7	
V4S-3M22	22	2.0	1.5	1.43						127	120	115	110	105	97	80	54	5.5	
V4S-3M25	25	2.0	1.5	1.60						139	134	128	124	117	110	90	60	6.1	
V4S-3M29	29	3.0	2.2	1.85						160	155	149	143	136	127	103	70	6.8	
V4S-3M33	33	3.0	2.2	2.11						183	177	172	164	155	145	118	80	9.7	
V4S-3M39	39	4.0	3.0	2.50						219	213	204	195	185	172	138	94	11.2	
V4S-3M45	45	4.0	3.0	2.88						250	243	233	224	213	199	162	110	12.7	
V4S-3M52	52	5.5	4.0	3.34						291	282	272	261	247	230	184	123	14.5	

V4S-5M Performance Curves & Selection Chart

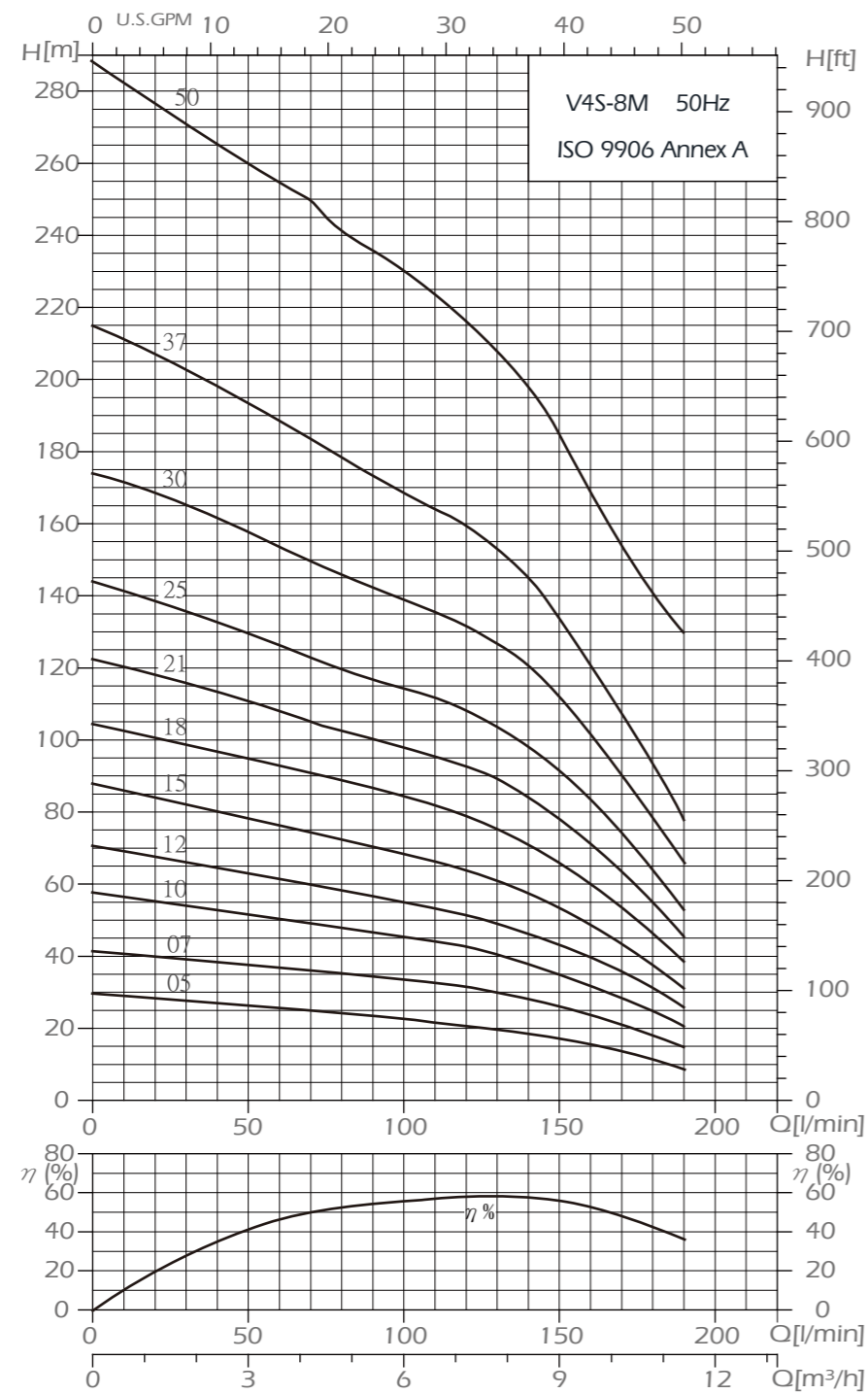


V4S-5M Selection Chart

Type	Stages	Output		L/MIN M³/H	H: TOTAL HEAD IN METERS																Weight Kg
		HP	KW		0	15	20	25	30	35	40	45	50	60	70	80	90	100			
V4S-5M04	4	0.5	0.37	0.25						23	22	21	20.5	20	19	17	15	13	10	2.0	
V4S-5M06	6	0.75	0.55	0.38						34	33	32	31	30	28	26	24	20	16	2.4	
V4S-5M08	8	1.0	0.75	0.52						45	44	43	42	41	39	36	33	28	23	2.8	
V4S-5M12	12	1.5	1.1	0.77						68	67	66	64	63	60	56	50	44	37	3.6	
V4S-5M17	17	2.0	1.5	1.08						96	94	93	90	88	84	77	70	63	54	4.5	
V4S-5M21	21	3.0	2.2	1.34						118	115	113	111	108	103	96	87	77	67	5.3	
V4S-5M25	25	3.0	2.2	1.57						138	136	133	129	127	121	113	103	90	78	6.0	
V4S-5M33	33	4.0	3.0	2.09						184	180	176	172	168	159	149	137	123	105	9.6	
V4S-5M38	38	5.5	4.0	2.42						212	208	204	199	194	185	172	158	142	123	10.9	
V4S-5M44	44	5.5	4.0	2.79						247	242	237	231	226	215	202	187	166	143	12.4	

All technical information is subject to change without notice.

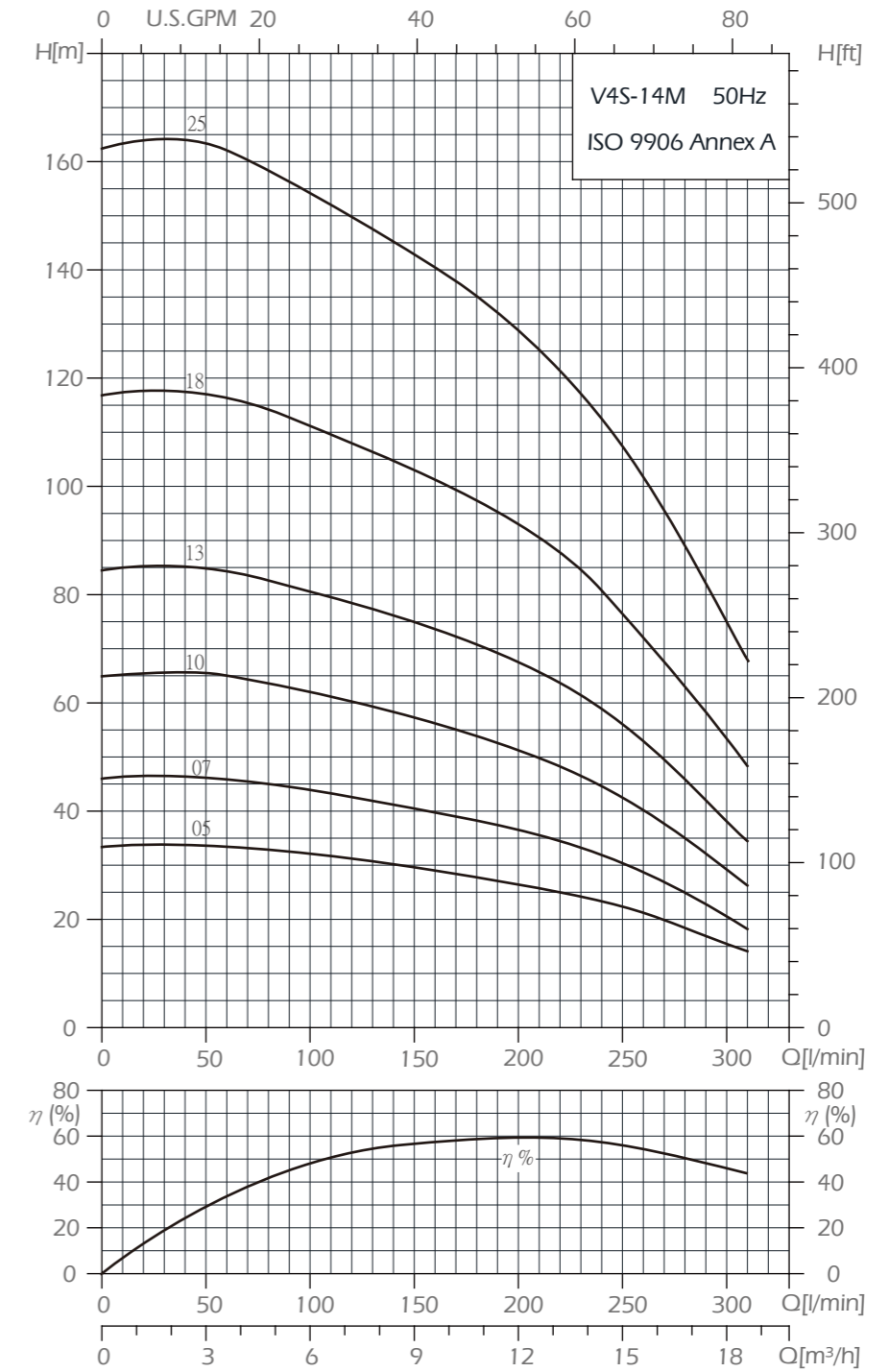
V4S-8M Performance Curves & Selection Chart



V4S-8M Selection Chart

Type	Stages	Output		L/MIN M ³ /H	TOTAL HEAD IN METERS															Weight Kg
		HP	KW		0	30	40	45	50	60	70	80	90	100	120	140	160	180		
V4S-8M05	5	1.0	0.75	30	1.8	2.4	2.7	3.0	3.6	4.2	4.8	5.4	6.0	7.2	8.4	9.6	10.8	4.3		
V4S-8M07	7	1.5	1.1	41		38	37	36	36	35	35	34	34	32	27	24	17	5.3		
V4S-8M10	10	2.0	1.5	58		54	53	52	51	49	47	47	46	43	38	32	25	6.8		
V4S-8M12	12	3.0	2.2	71		65	64	63	61	60	58	57	55	52	47	40	31	7.8		
V4S-8M15	15	3.0	2.2	87		80	79	78	76	74	72	70	68	64	57	49	38	9.3		
V4S-8M18	18	4.0	3.0	104		98	96	95	93	90	88	86	84	79	72	60	47	10.8		
V4S-8M21	21	5.5	4.0	122		114	113	111	107	105	102	100	98	93	85	72	55	12.3		
V4S-8M25	25	5.5	4.0	144		133	131	128	126	123	119	116	114	107	97	84	64	14.3		
V4S-8M30	30	7.5	5.5	174		163	160	157	154	149	145	142	139	131	120	103	79	16.8		
V4S-8M37	37	7.5	5.5	215		199	196	194	188	183	177	173	169	160	145	122	93	20.3		
V4S-8M50	50	10	7.5	288		266	263	260	254	248	242	237	230	217	198	168	129	24.7		

V4S-14M Performance Curves & Selection Chart



V4S-14M Selection Chart

Type	Stages	Output		L/MIN M ³ /H	TOTAL HEAD IN METERS															Weight Kg
		HP	KW		0	70	80	90	100	120	140	160	180	200	250	300	320			
V4S-14M05	5	2.0	1.5	33	4.2	4.8	5.4	6.0	7.2	8.4	9.6	10.8	12	15	18	19	5.0			
V4S-14M07	7	3.0	2.2	46				44	43	42	40	37	36	30	20		6.3			
V4S-14M10	10	4.0	3.0	65				62	60	58	57	54	52	43	29		8.2			
V4S-14M13	13	5.5	4.0	84				80	78	77	74	72	67	56	38		10.2			
V4S-14M18	18	7.5	5.5	117				111	108	104	102	97	93	77	54		13.4			
V4S-14M25	25	10	7.5	163				154	149	145	141	135	129	107	75		17.8			

All technical information is subject to change without notice.

EVAK V-Series 6" Stainless Steel Submersible Pumps



Evak's VS 6" SST submersible pumps are made of high quality 304 or 316 corrosion resistant Stainless Steel. The Shaft are made of high strength 431 SST. The pumps are designed for high efficiency, reliable performance, and a long life time. The pumps are light in weight and ruggedly constructed for heavy duty applications.

Pumped Liquids:
Clean, non-corrosive and non-abrasive liquids

Operating Conditions:
Max. Liquid temperature : 60°C
Sand content: Max. 50 g/m³

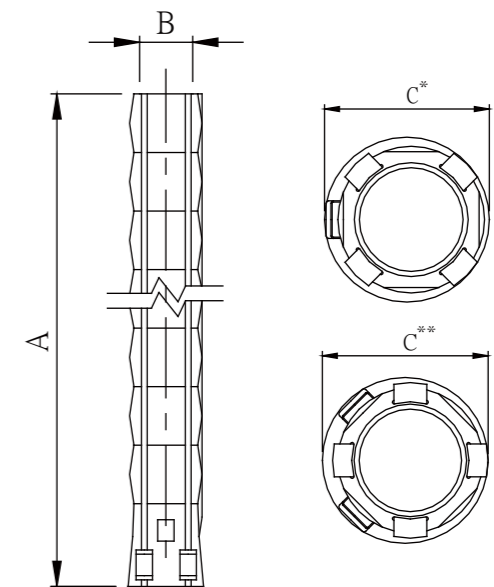
Features

- > All stainless steel design & Built-in Jam-free check valve
- > NEMA Standards Mounting Specification
- > High quality shaft bearing for low friction
- > High wear resistance SST Impeller
- > Diffuser ensuring optimal performance
- > SST Strainer prevents the Entry of Sand

Applications

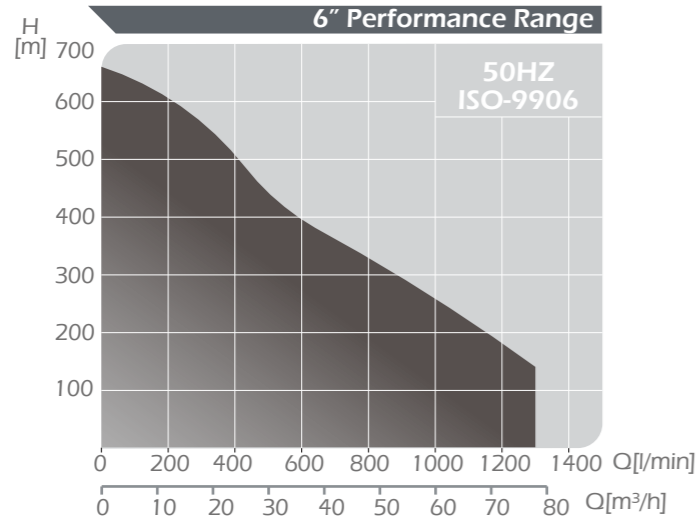
- > Potable water supply from deep wells
- > Agricultural-Irrigation, livestock watering,
- > Municipal and Industrial, Pressure boosting
- > Mine de-watering, Fountains, etc.

V6S Dimensions

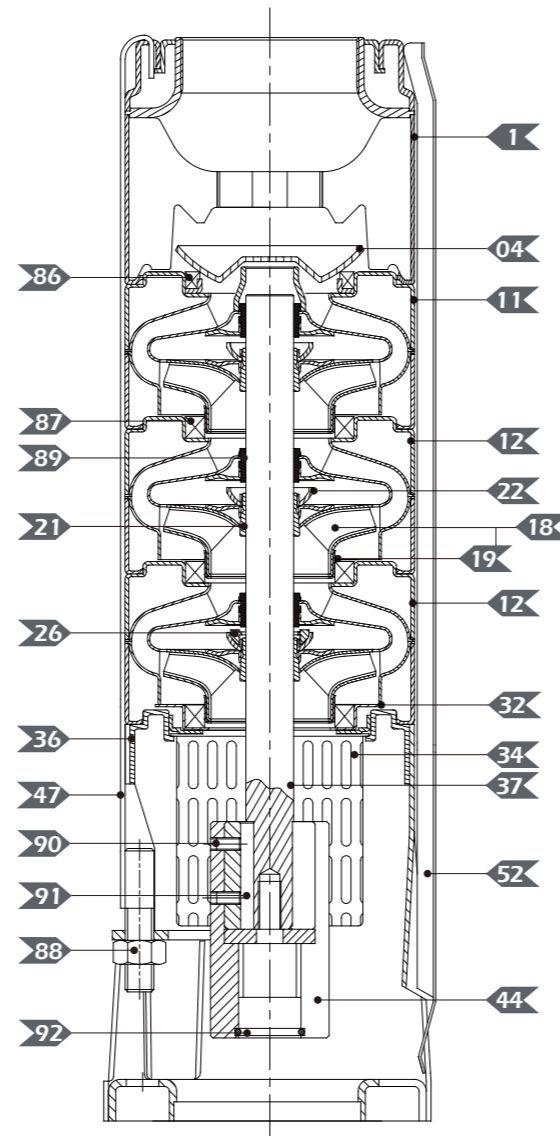


Unit(mm)

V6S V6S



Example V6S-17M



Parts and Material List			
No	Part	Material	Standard
01	Discharge	Stainless Steel	304
04	Valve Cone	Stainless Steel	304
11	Top Diffuser	Stainless Steel	304
12	Diffuser	Stainless Steel	304
18	Impeller	Stainless Steel	304
19	Ring of Impeller	Stainless Steel	304
21	Split Cone	Stainless Steel	304
22	Split Cone Nut	Stainless Steel	304
26	Spacing Washer for Stop Ring	Carbon/Graphite/PTFE	
32	Neck Ring Retainer	Stainless Steel	304
34	Strainer	Stainless Steel	304
36	Suction Interconnector	Stainless Steel	304
37	Pump Shaft	Stainless Steel	431
44	Coupling	Stainless Steel	304
47	Strap	Stainless Steel	304
52	Cable Guard	Stainless Steel	304
86	Valve Seat	SUS304+NBR	
87	Neck Ring	SUS304+NBR	
88	Nut	Stainless Steel	304
89	Bearing	NBR	
90	Screw	Stainless Steel	304
91	Key	Stainless Steel	304
92	O - Ring	NBR	

V6S-17M Dimensions and Weight

Type	A	B	C*	C**	Net Weight(kg)	
V6S-17M01	343	RP 2 1/2"	131		5	
V6S-17M02	403		131		6.4	
V6S-17M04	524		131		9.3	
V6S-17M05	585		131		10.8	
V6S-17M06	645		131		12.2	
V6S-17M07	706		131		13.7	
V6S-17M08						
V6S-17M10	887		131			18
V6S-17M13	1069	142	142		22.4	
V6S-17M17	1311	142	142		28.2	
V6S-17M20	1492	142	142		32.5	
V6S-17M22	1613	142	142		35.4	
V6S-17M24	1734	142	142		38.3	
V6S-17M27	1916	142	142		42.7	
V6S-17M29	2037	142	142		45.6	
V6S-17M31	2158	142	142		48.5	
V6S-17M33	2279	142	142		51.4	
V6S-17M36	2460	142	142		55.7	
V6S-17M38	2581	142	142		58.6	
V6S-17M40	2702	142	142		61.5	

V6S-30M Dimensions and Weight

Type	A	B	C*	C**	Net Weight(kg)	
V6S-30M02	462	RP 3"	131		8.4	
V6S-30M03	558		131		10.1	
V6S-30M04	654		131		11.8	
V6S-30M06	846		131		15.2	
V6S-30M08	1038		142	142		18.6
V6S-30M11	1326		142	142		23.6
V6S-30M13	1518		142	142		27
V6S-30M15	1710		142	142		30.4
V6S-30M17	1902		142	142		33.8
V6S-30M19	2094		142	142		37.2
V6S-30M21	2286	142	142		40.6	
V6S-30M24	2574	142	142		45.6	
V6S-30M26	2766	142	142		49	
V6S-30M29	3054	142	142		54.1	
V6S-30M32	3342	142	142		59.2	
V6S-30M35	3630	142	142		64.3	

V6S-46M Dimensions and Weight

Type	A	B	C*	C**	Net Weight(kg)	
V6S-46M02	496	RP 3"	146		9.2	
V6S-46M03-C	609		146		11.5	
V6S-46M03	609		146		11.5	
V6S-46M04-C	722		146		13.8	
V6S-46M05	835		149	152		16
V6S-46M07	1061		149	152		20.6
V6S-46M08-C	1174		149	152		22.9
V6S-46M10	1400		149	152		27.4
V6S-46M12	1626		149	152		32
V6S-46M15	1965		149	152		38.8
V6S-46M17	2191	149	152		43.4	
V6S-46M19	2417	149	152		47.9	
V6S-46M22	2756	149	152		54.8	
V6S-46M24	2982	149	152		59.3	

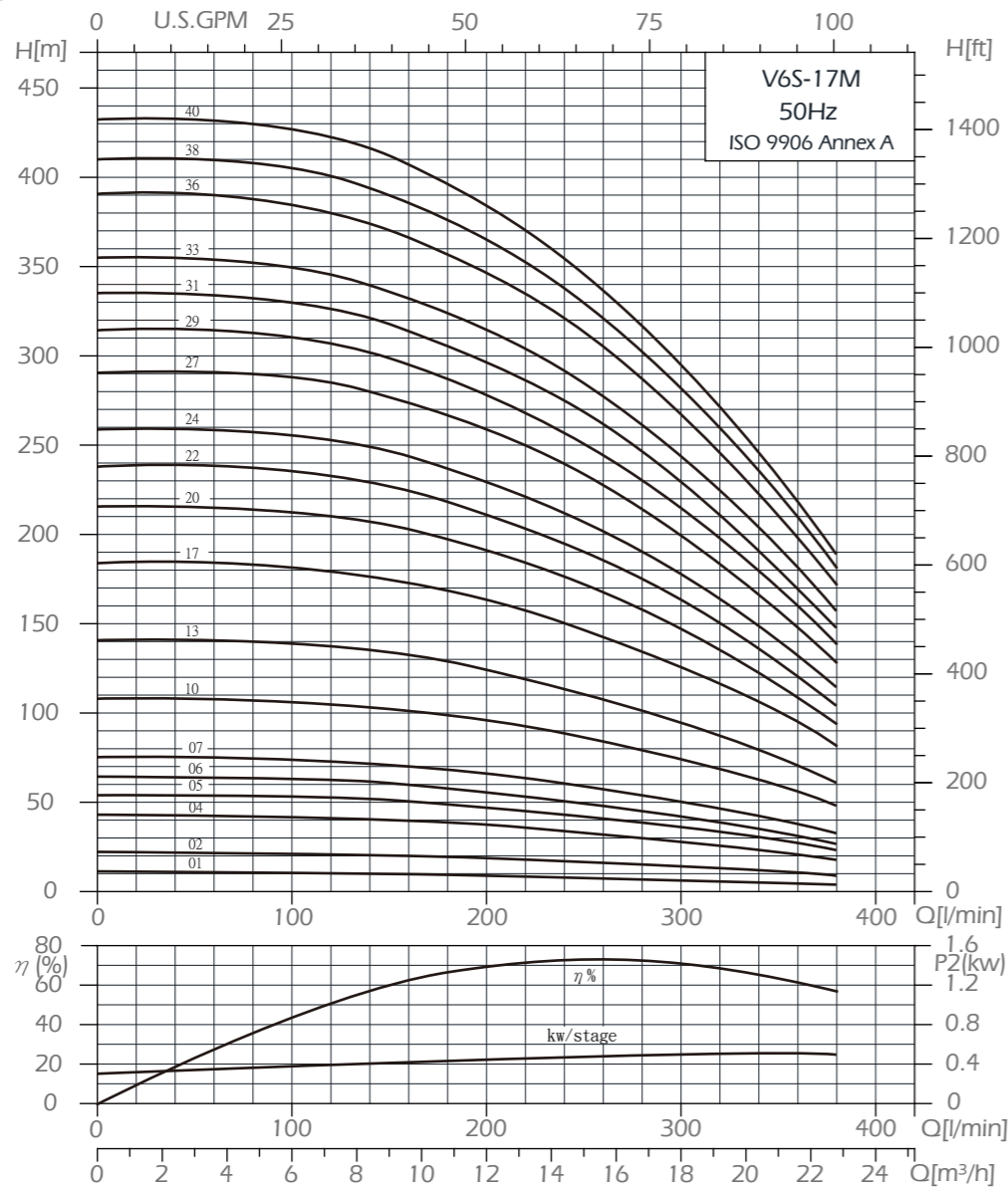
V6S-60M Dimensions and Weight

Type	A	B	C*	C**	Net Weight(kg)	
V6S-60M01	383	RP 3" or 4"	146		6.9	
V6S-60M02	496		146		9.2	
V6S-60M03	609		149		11.5	
V6S-60M04	722		149	152		13.7
V6S-60M05	835		149	152		16
V6S-60M06	948		149	152		18.3
V6S-60M07	1061		149	152		20.6
V6S-60M08	1174		149	152		22.9
V6S-60M09	1287		149	152		25.1
V6S-60M10	1400		149	152		27.4
V6S-60M11	1513	149	152		29.7	
V6S-60M12	1626	149	152		32	
V6S-60M13	1739	149	152		34.3	
V6S-60M14	1852	149	152		36.5	
V6S-60M15	1965	149	152		38.8	
V6S-60M16	2078	149	152		41.1	
V6S-60M17	2191	149	152		43.4	
V6S-60M18	2304	149	152		45.7	
V6S-60M20	2530	149	152		50.2	

All technical information is subject to change without notice.

C* = Maximum diameter of pump with one motor cable
C** = Maximum diameter of pump with two motor cable

V6S-17M Performance Curves & Selection Chart

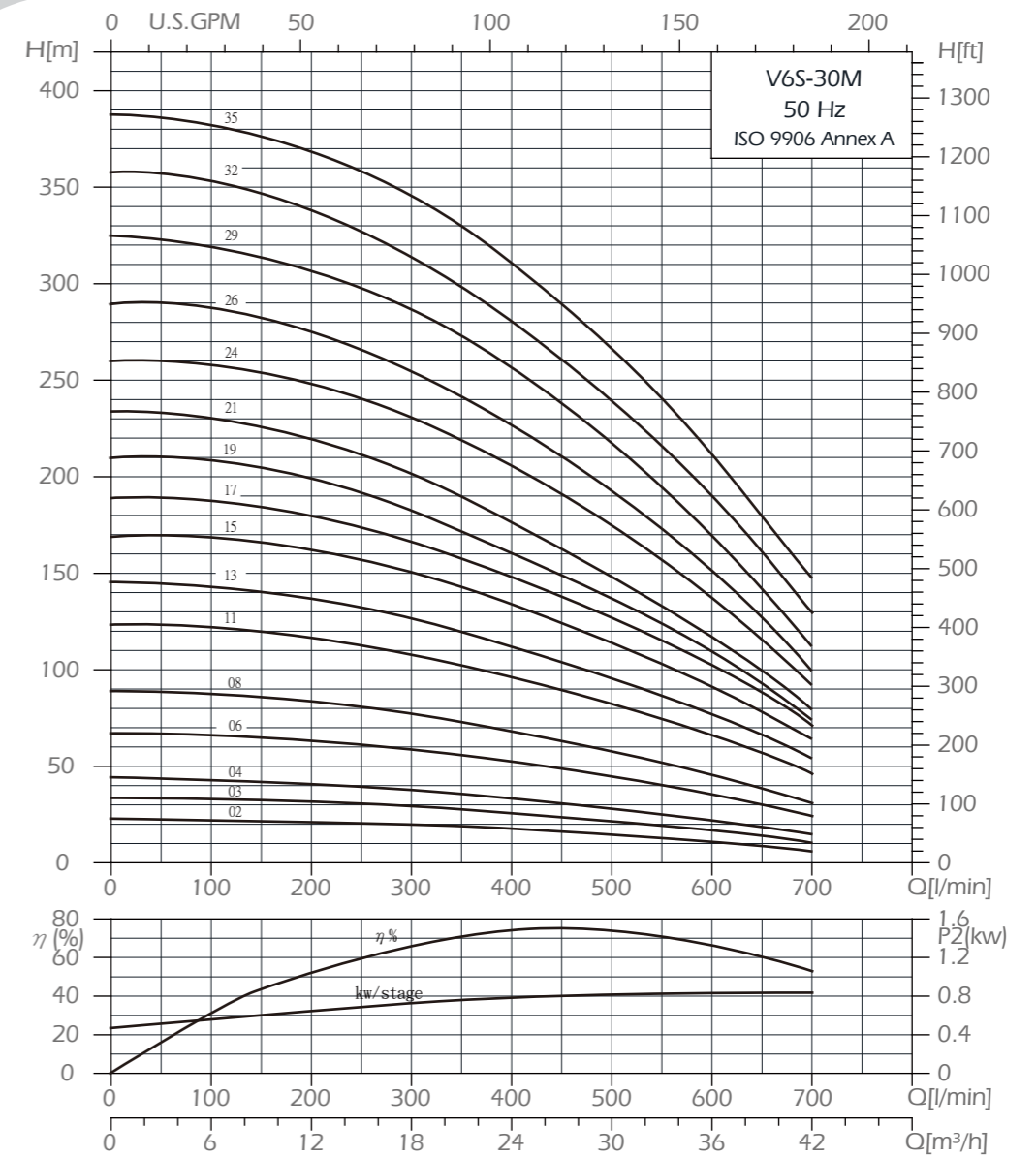


V6S-17M Selection Chart

Type	Stages	Motor		MAX.current		L/MIN	50	100	150	200	250	300	350	383	Weight
		HP	P2 kW	Amp 220V	Amp 380V										
V6S-17M01	1	0.75	0.55	2.6	1.5		11.5	11	10.5	9.5	8	7	6	4	5
V6S-17M02	2	1.5	1.1	5.2	3.0		22	21.5	20	19	17.5	14	12	9	6.4
V6S-17M04	4	3	2.2	9.5	5.5		42.5	42	40	38	33	28.5	23	18	9.3
V6S-17M05	5	4	3	13.3	7.7		53	52	50.5	47.5	42.5	37	28.5	22	10.8
V6S-17M06	6	5	3.7	15.4	8.9		64	63	60	56	50	43	34	27	12.2
V6S-17M07	7	5.5	4	17	10.4		75	74	70	66	59	50.5	40	32	13.7
V6S-17M10	10	7.5	5.5	22.2	12.8		108	107	102	95	86	74	58	48	18
V6S-17M13	13	10	7.5	28.5	16.5		141	139	133	124	112	95	75	60	22.4
V6S-17M17	17	12.5	9.3	36	20.9		184	182	175	163	147	126	100	80	28.2
V6S-17M20	20	15	11	41.8	24.2		216	213	206	192	173	147	116	95	32.5
V6S-17M22	22	17.5	13	50	29		239	237	228	212	190	163	129	105	35.4
V6S-17M24	24	17.5	13	50	29		260	257	247	230	208	178	140	115	38.3
V6S-17M27	27	20	15	55	32		291	288	277	259	234	200	158	128	42.7
V6S-17M29	29	25	18.5	69	40		314	311	300	279	250	215	170	138	45.6
V6S-17M31	31	25	18.5	69	40		335	330	318	298	269	230	181	148	48.5
V6S-17M33	33	25	18.5	69	40		355	350	337	315	285	243	191	157	51.4
V6S-17M36	36	30	22	81	47		390	385	371	348	313	268	210	170	55.7
V6S-17M38	38	30	22	81	47		410	405	390	365	330	281	222	180	58.6
V6S-17M40	40	30	22	81	47		433	428	412	384	346	296	235	190	61.5

V6S-17M08 ; V6S-17M12 ; V6S-17M43 are available on request.

V6S-30M Performance Curves & Selection Chart

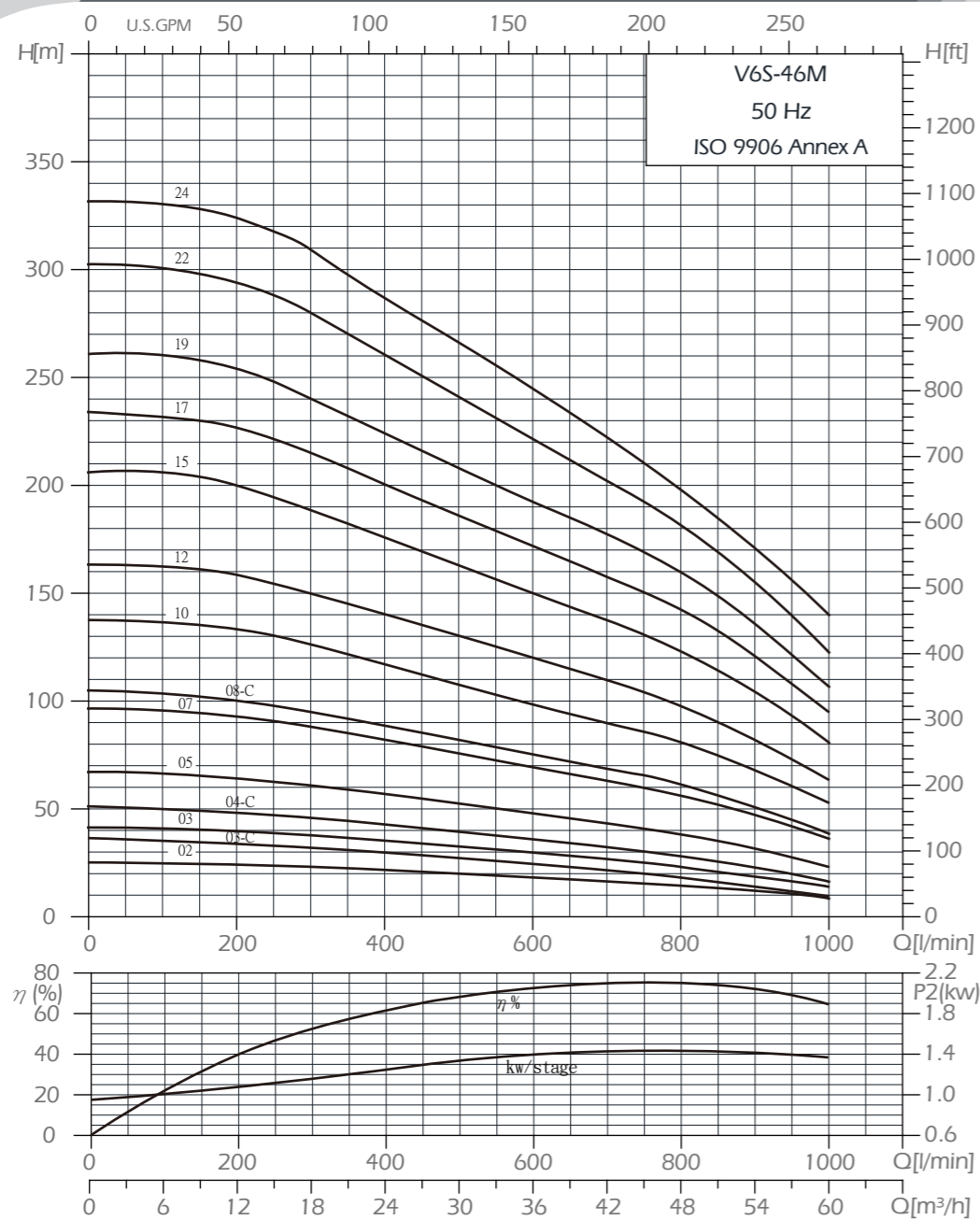


V6S-30M Selection Chart

Type	Stages	Motor		MAX.current		L/MIN	100	150	200	250	300	350	400	450	500	550	600	650	700	Weight
		HP	P2 kW	Amp 220V	Amp 380V															
V6S-30M02	2	3	2.2	9.5	5.5		23	22	21	20	19	18	17	16	15	13	11	9	6	8.4
V6S-30M03	3	4	3	13.3	7.7		33	32	31	30	29	28	26	24	22	20	17	14	11	10.1
V6S-30M04	4	5	3.7	15.4	8.9		43	42	41	40	38	36	34	31	28	26	23	19	15	11.8
V6S-30M06	6	7.5	5.5	22.2	12.8		67	64	62	60	58	56	52	49	45	40	36	30	25	15.2
V6S-30M08	8	10	7.5	28.5	16.5		88	87	84	81	78	73	68	64	58	53	46	38	31	18.6
V6S-30M11	11	15	11	41.8	24.2		122	120	117	112	108	102	97	90	83	76	67	57	47	23.6
V6S-30M13	13	15	11	41.8	24.2		143	140	137	132	127	120	113	105	97	87	77	66	55	27
V6S-30M15	15	20	15	55	32		168	166	162	157	150	142	134	124	113	102	90	77	65	30.4
V6S-30M17	17	20	15	55	32		188	185	180	173	167	158	148	138	127	116	103	88	71	33.8
V6S-30M19	19	25	18.5	69	40		208	205	199	192	182	172	161	150	137	125	110	94	77	37.2
V6S-30M21	21	25	18.5	69	40		230	226	220	212	202	190	177	164	149	134	117	100	80	40.6
V6S-30M24	24	30	22	81	47		258	254	248	240	230	219	207	191	175	156	137	117	93	45.6
V6S-30M26	26	30	22	81	47		287	282	275	266	255	242	227	212	194	173	152	127	100	49
V6S-30M29	29	35	26	96	56		319	314	307	298	287	273	257	240	220	196	170	143	113	54.1
V6S-30M32	32	40	30	111	64		353	347	338	327	313	298	281	261	240	217	190	160	130	59.2
V6S-30M35	35	40	30	111	64		382	377	368	358	346	329	311	290	267	240	211	180	148	64.3

All technical information is subject to change without notice.

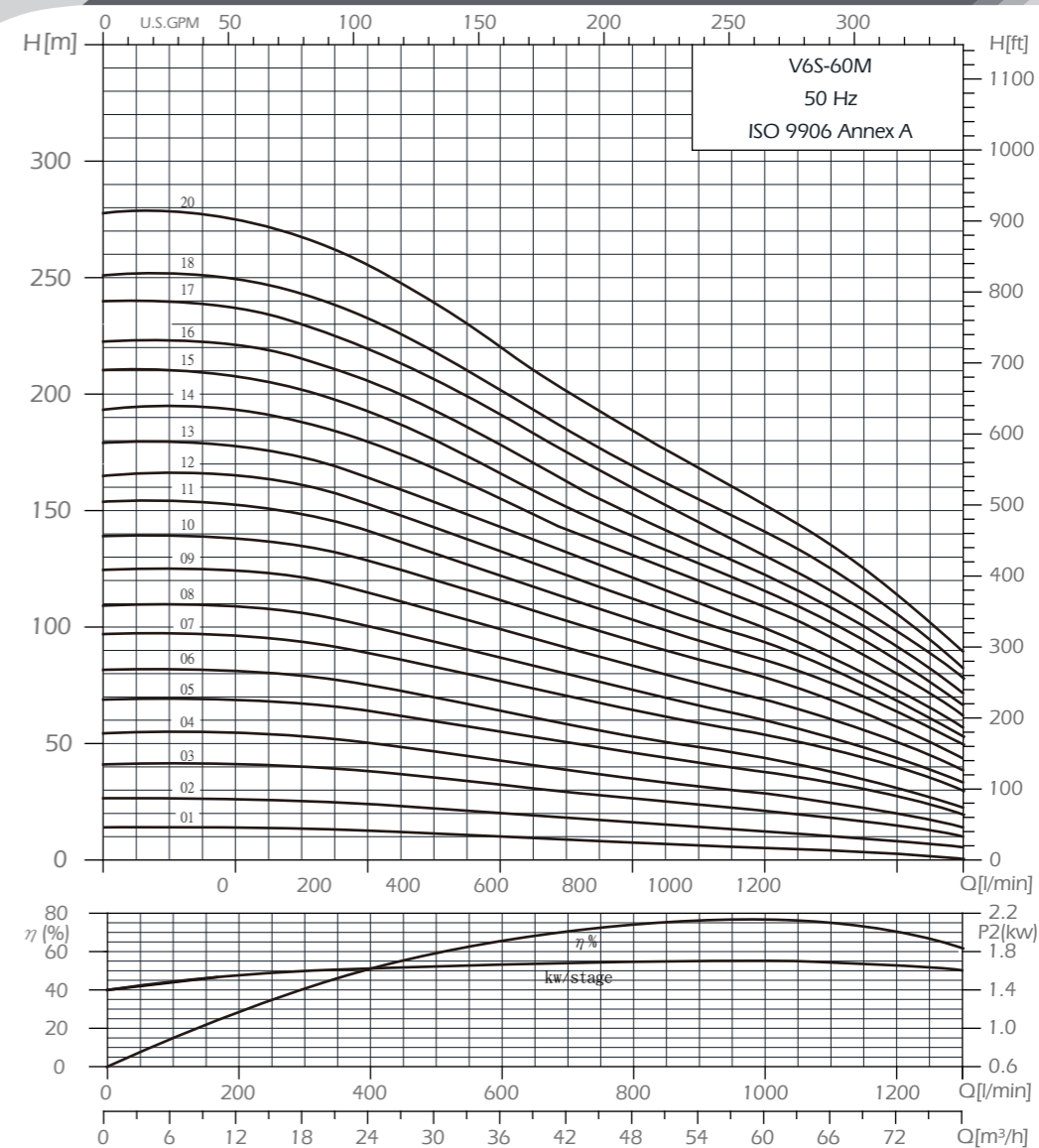
V6S-46M Performance Curves & Selection Chart



V6S-46M Selection Chart

Type	Stages	Motor HP P2 kW	MAX.current Amp 220V 380V	L/MIN M ³ /H	200	250	300	350	400	450	500	600	700	800	900	1000	Weight kg
V6S-46M02	2	4 3	13.3 7.7	12	15	18	21	24	27	30	36	42	48	54	60	9.2	
V6S-46M03-C	3	5 3.7	15.4 8.9	12	15	18	21	24	27	30	36	42	48	54	60	9.2	
V6S-46M03	3	7.5 5.5	22.2 12.8	12	15	18	21	24	27	30	36	42	48	54	60	9.2	
V6S-46M04-C	4	7.5 5.5	22.2 12.8	12	15	18	21	24	27	30	36	42	48	54	60	9.2	
V6S-46M05	5	10 7.5	28.5 16.5	12	15	18	21	24	27	30	36	42	48	54	60	9.2	
V6S-46M07	7	15 11	41.8 24.2	12	15	18	21	24	27	30	36	42	48	54	60	9.2	
V6S-46M08-C	8	15 11	41.8 24.2	12	15	18	21	24	27	30	36	42	48	54	60	9.2	
V6S-46M10	10	20 15	55 32	12	15	18	21	24	27	30	36	42	48	54	60	9.2	
V6S-46M12	12	25 18.5	69 40	12	15	18	21	24	27	30	36	42	48	54	60	9.2	
V6S-46M15	15	30 22	81 47	12	15	18	21	24	27	30	36	42	48	54	60	9.2	
V6S-46M17	17	35 26	96 56	12	15	18	21	24	27	30	36	42	48	54	60	9.2	
V6S-46M19	19	40 30	111 64	12	15	18	21	24	27	30	36	42	48	54	60	9.2	
V6S-46M22	22	50 37	138 80	12	15	18	21	24	27	30	36	42	48	54	60	9.2	
V6S-46M24	24	50 37	138 80	12	15	18	21	24	27	30	36	42	48	54	60	9.2	

V6S-60M Performance Curves & Selection Chart



V6S-60M Selection Chart

Type	Stages	Motor HP P2 kW	MAX.current Amp 220V 380V	L/MIN M ³ /H	300	350	400	450	500	600	700	800	900	1000	1100	1200	1300	Weight kg
V6S-60M01	1	3 2.2	9.5 5.5	18	21	24	27	30	36	42	48	54	60	66	72	78	6.9	
V6S-60M02	2	5.5 4	15.4 8.9	18	21	24	27	30	36	42	48	54	60	66	72	78	6.9	
V6S-60M03	3	7.5 5.5	22.2 12.8	18	21	24	27	30	36	42	48	54	60	66	72	78	6.9	
V6S-60M04	4	10 7.5	28.5 16.5	18	21	24	27	30	36	42	48	54	60	66	72	78	6.9	
V6S-60M05	5	12.5 9.3	36 20.9	18	21	24	27	30	36	42	48	54	60	66	72	78	6.9	
V6S-60M06	6	15 11	41.8 24.2	18	21	24	27	30	36	42	48	54	60	66	72	78	6.9	
V6S-60M07	7	17.5 13	50 29	18	21	24	27	30	36	42	48	54	60	66	72	78	6.9	
V6S-60M08	8	20 15	55 32	18	21	24	27	30	36	42	48	54	60	66	72	78	6.9	
V6S-60M09	9	25 18.5	69 40	18	21	24	27	30	36	42	48	54	60	66	72	78	6.9	
V6S-60M10	10	25 18.5	69 40	18	21	24	27	30	36	42	48	54	60	66	72	78	6.9	
V6S-60M11	11	30 22	81 47	18	21	24	27	30	36	42	48	54	60	66	72	78	6.9	
V6S-60M12	12	30 22	81 47	18	21	24	27	30	36	42	48	54	60	66	72	78	6.9	
V6S-60M13	13	35 26	96 56	18	21	24	27	30	36	42	48	54	60	66	72	78	6.9	
V6S-60M14	14	35 26	96 56	18	21	24	27	30	36	42	48	54	60	66	72	78	6.9	
V6S-60M15	15	35 26	96 56	18	21	24	27	30	36	42	48	54	60	66	72	78	6.9	
V6S-60M16	16	40 30	111 64	18	21	24	27	30	36	42	48	54	60	66	72	78	6.9	
V6S-60M17	17	50 37	138 80	18	21	24	27	30	36	42	48	54	60	66	72	78	6.9	
V6S-60M18	18	50 37	138 80	18	21	24	27	30	36	42	48	54	60	66	72	78	6.9	
V6S-60M20	20	50 37	138 80	18	21	24	27	30	36	42	48	54	60	66	72	78	6.9	

All technical information is subject to change without notice.

EVAK V-Series 8" Stainless Steel Submersible Pumps



V8S

V8S

Evak's VS 8" SST submersible pumps are designed for heavy duty And high volume pumping applications. High efficient hydraulic Impeller and diffuser designs reduce energy requirements and Provide long and dependable service life, even in difficult environments

Pumped Liquids:
Clean, non-corrosive and non-abrasive liquids

Operating Conditions:
Max. liquid temperature: 60°C
Sand content: Max. 50 g/m³

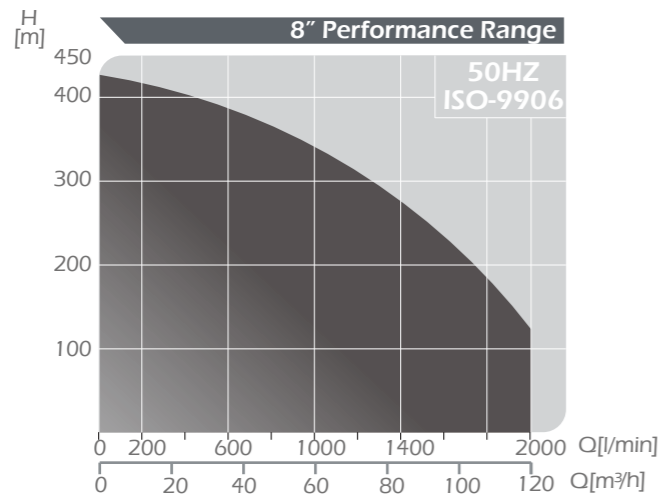
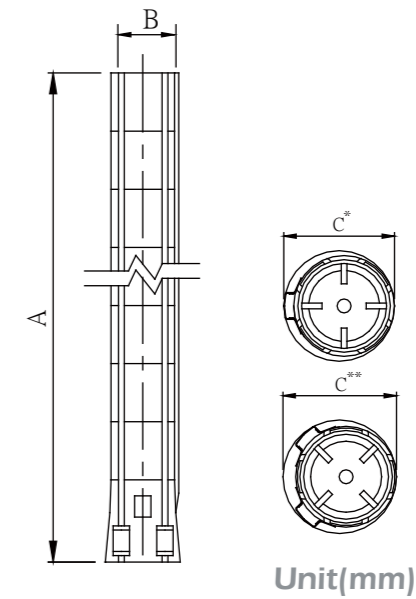
Features

- > All stainless steel design & Built-in Jam-free check valve
- > NEMA Standards Mounting Specification
- > High quality shaft bearing for low friction
- > High wear resistance SST impeller
- > SST Impeller & Diffuser ensuring optimal performance
- > SST Strainer prevents the Entry of Sand & other extraneous material

Applications

- > Municipal Water supply, treatment & distribution.
- > Agricultural-Irrigation, livestock watering, etc.
- > Industrial cooling, cleaning and production
- > Pressure boosting & Fountains, etc.

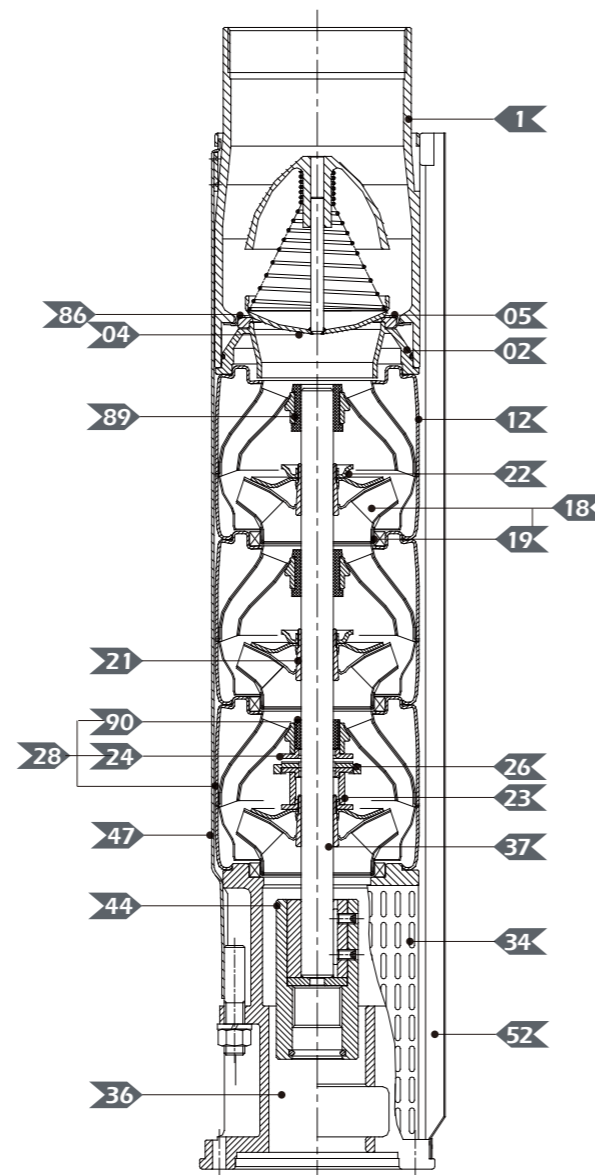
V8S Dimensions



Parts and Material List

No	Part	Material	Standard
01	Discharge	Stainless Steel	304
02	Lower Valve Seat Retainer	Stainless Steel	304
04	Valve Cup	Stainless Steel	304
05	Upper Valve Seat Retainer	Stainless Steel	304
12	Diffuser	Stainless Steel	304
18	Impeller	Stainless Steel	304
19	Ring of Impeller	Stainless Steel	304
21	Split Cone	Stainless Steel	304
22	Split Cone Nut	Stainless Steel	304
23	Nut for Stop Ring	Stainless Steel	304
24	Stop Ring	Stainless Steel	304
26	Spacing Washer for Stop Ring	Carbon/Graphite/PTFE	
28	Bottom Diffuser	Stainless Steel	304
34	Strainer	Stainless Steel	304
36	Suction Interconnector	Stainless Steel	304
37	Pump Shaft	Stainless Steel	431
44	Coupling	Stainless Steel	304
47	Strap	Stainless Steel	304
52	Cable Guard	Stainless Steel	304
86	Valve Seat	NBR	
89	Bearing	NBR	
90	Bearing	SUS304+NBR	

Example V8S-95M



V8S-77M Dimensions and Weight

Type	B 5" Connection(RP)			B 5" Flange			Net Weight(kg)
	A	C*	C**	A	C*	C**	
V8S-77M01	618	178	186	618	200	200	25.1
V8S-77M02-B	746	178	186	746	200	200	28.7
V8S-77M02	746	178	186	746	200	200	28.7
V8S-77M03-B	874	178	186	874	200	200	32.3
V8S-77M03	874	178	186	874	200	200	32.3
V8S-77M04-B	1003	178	186	1003	200	200	35.9
V8S-77M04	1003	178	186	1003	200	200	35.9
V8S-77M05	1131	178	186	1131	200	200	39.5
V8S-77M06	1259	178	186	1259	200	200	43
V8S-77M07	1387	178	186	1387	200	200	46.6
V8S-77M08-B	1515	178	186	1515	200	200	50.2
V8S-77M08	1515	178	186	1515	200	200	50.2
V8S-77M09	1644	178	186	1644	200	200	53.8
V8S-77M10	1772	178	186	1772	200	200	57.4
V8S-77M11	1900	178	186	1900	200	200	61
V8S-77M12	2039	200	204	2039	209	209	66
V8S-77M13	2168	200	204	2168	209	209	69.6
V8S-77M15	2424	200	204				76.8
V8S-77M16	2552	200	204				80.4
V8S-77M18	2809	200	204				87.6
V8S-77M20	3065	200	204				94.8

V8S-95M Dimensions and Weight

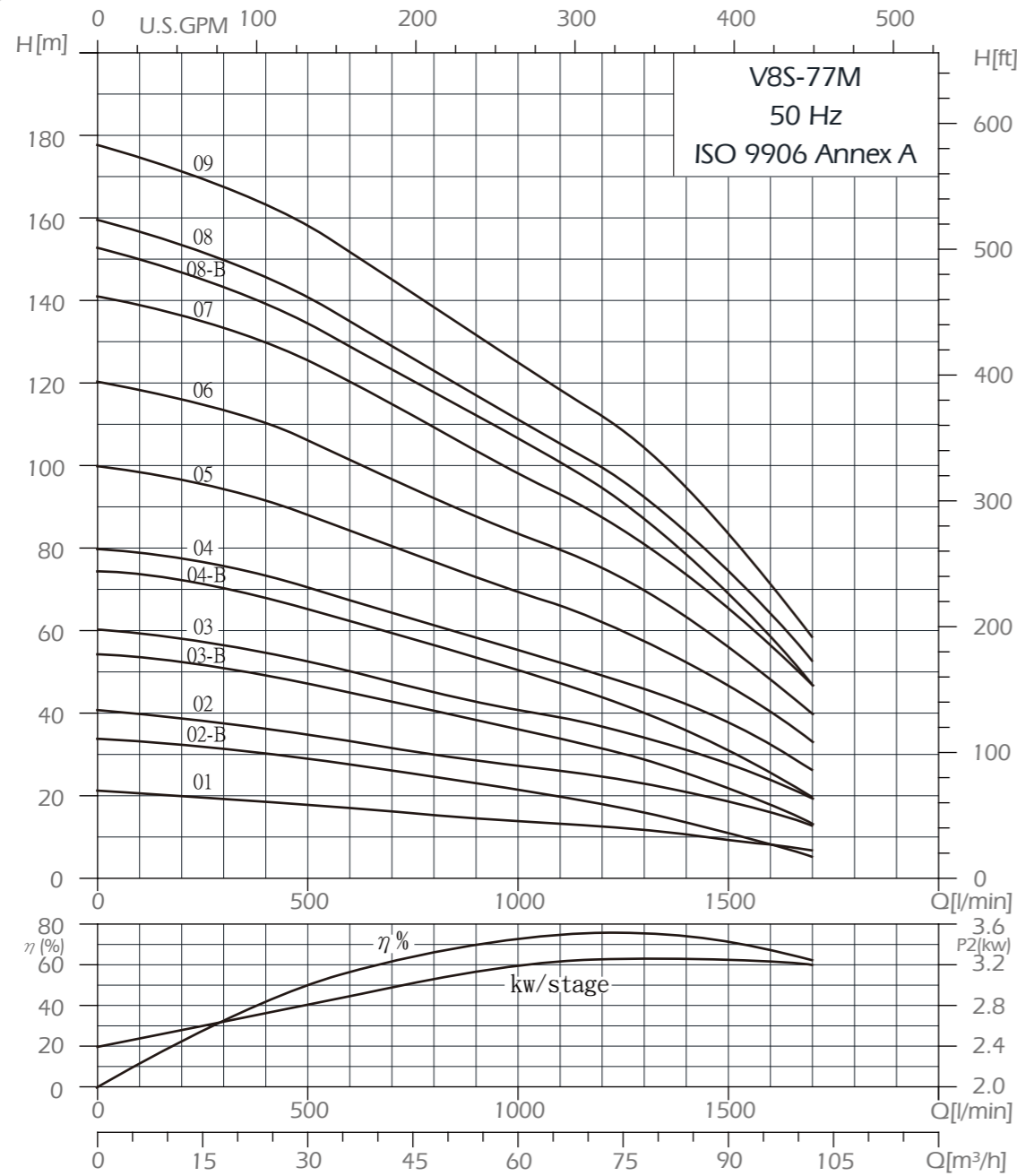
Type	B 5" Connection(RP)			B 5" Flange			Net Weight(kg)
	A	C*	C**	A	C*	C**	
V8S-95M01	618	178	186	618	200	200	25.1
V8S-95M02-BB	746	178	186	746	200	200	28.7
V8S-95M02-A	746	178	186	746	200	200	28.7
V8S-95M02	746	178	186	746	200	200	28.7
V8S-95M03-BB	874	178	186	874	200	200	32.3
V8S-95M03-B	874	178	186	874	200	200	32.3
V8S-95M03	874	178	186	874	200	200	32.3
V8S-95M04-B	1003	178	186	1003	200	200	35.9
V8S-95M04	1003	178	186	1003	200	200	35.9
V8S-95M05-AB	1131	178	186	1131	200	200	39.5
V8S-95M05	1131	178	186	1131	200	200	39.5
V8S-95M06	1259	178	186	1259	200	200	43
V8S-95M07	1387	178	186	1387	200	200	46.6
V8S-95M08	1515	178	186	1515	200	200	50.2
V8S-95M09	1644	178	186	1644	200	200	53.8
V8S-95M10	1783	196	204	1783	205	205	58.8
V8S-95M11	1911	196	204	1911	205	205	62.4
V8S-95M12	2039	196	204	2039	205	205	66
V8S-95M13	2168	196	204	2168	205	205	69.6
V8S-95M14	2296	196	204	2296	205	205	73.2
V8S-95M15	2424	196	204				76.7
V8S-95M17	2680	196	204				84
V8S-95M18	2809	196	204				87.6
V8S-95M20	3065	196	204				94.8

C* = Maximum diameter of pump with one motor cable

C**= Maximum diameter of pump with two motor cable

All technical information is subject to change without notice.

V8S-77M Performance Curves & Selection Chart

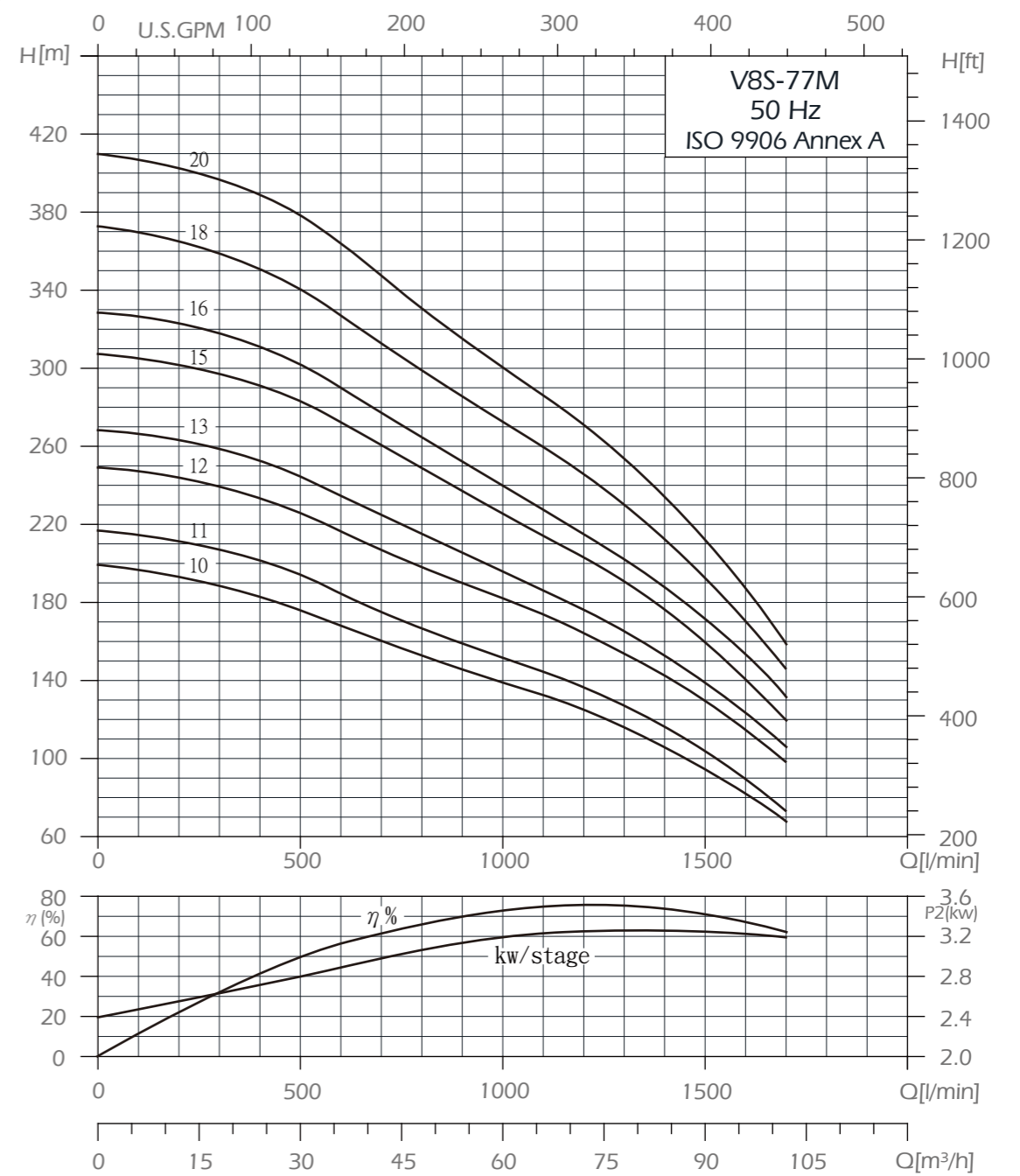


V8S-77M Selection Chart

Type	Stages	Motor		MAX.current Amp	L/MIN M³/H	Flow Rate (Q)												Weight kg
		HP	KW			200	300	400	500	600	700	800	900	1100	1300	1500	1700	
V8S-77M01	1	7.5	5.5	21.9	12.7	12	18	24	30	36	42	48	54	66	78	90	102	25.1
V8S-77M02-B	2	7.5	5.5	21.9	12.7	20	19.5	19	18	17	16	15	14	13	12	9	7	28.7
V8S-77M02	2	10	7.5	28.5	16.5	33	32	30	28	27	26	25	23	20	26	11	6	28.7
V8S-77M03-B	3	12.5	9.3	36	20.9	38	37	36	35	33	32	30	28	26	23	18	13	28.7
V8S-77M03	3	15	11	41.8	24.2	53	51	49	47	45	43	40	38	34	28	22	13	32.3
V8S-77M04-B	4	17.5	13	50	29	58	57	55	53	50	47	45	43	39	35	28	20	32.3
V8S-77M04	4	20	15	55	32	72	70	68	65	62	59	56	53	47	40	31	20	35.9
V8S-77M05	5	25	18.5	69	40	77	76	74	71	67	64	61	58	53	46	37	27	35.9
V8S-77M06	6	30	22	81	47	96	94	92	88	84	80	76	73	66	57	46	33	39.5
V8S-77M07	7	35	26	96	56	116	113	110	106	101	96	92	88	80	70	56	40	43
V8S-77M08	8	40	30	111	64	136	133	130	126	120	115	109	104	93	81	65	47	46.6
V8S-77M08-B	8	35	26	96	56	147	143	139	134	129	123	117	112	101	87	69	47	50.2
V8S-77M08	8	40	30	111	64	153	150	146	141	135	129	123	117	105	93	75	53	50.2
V8S-77M09	9	40	30	111	64	171	167	163	158	152	145	138	131	118	104	84	58	53.8

All technical information is subject to change without notice.

V8S-77M Performance Curves & Selection Chart

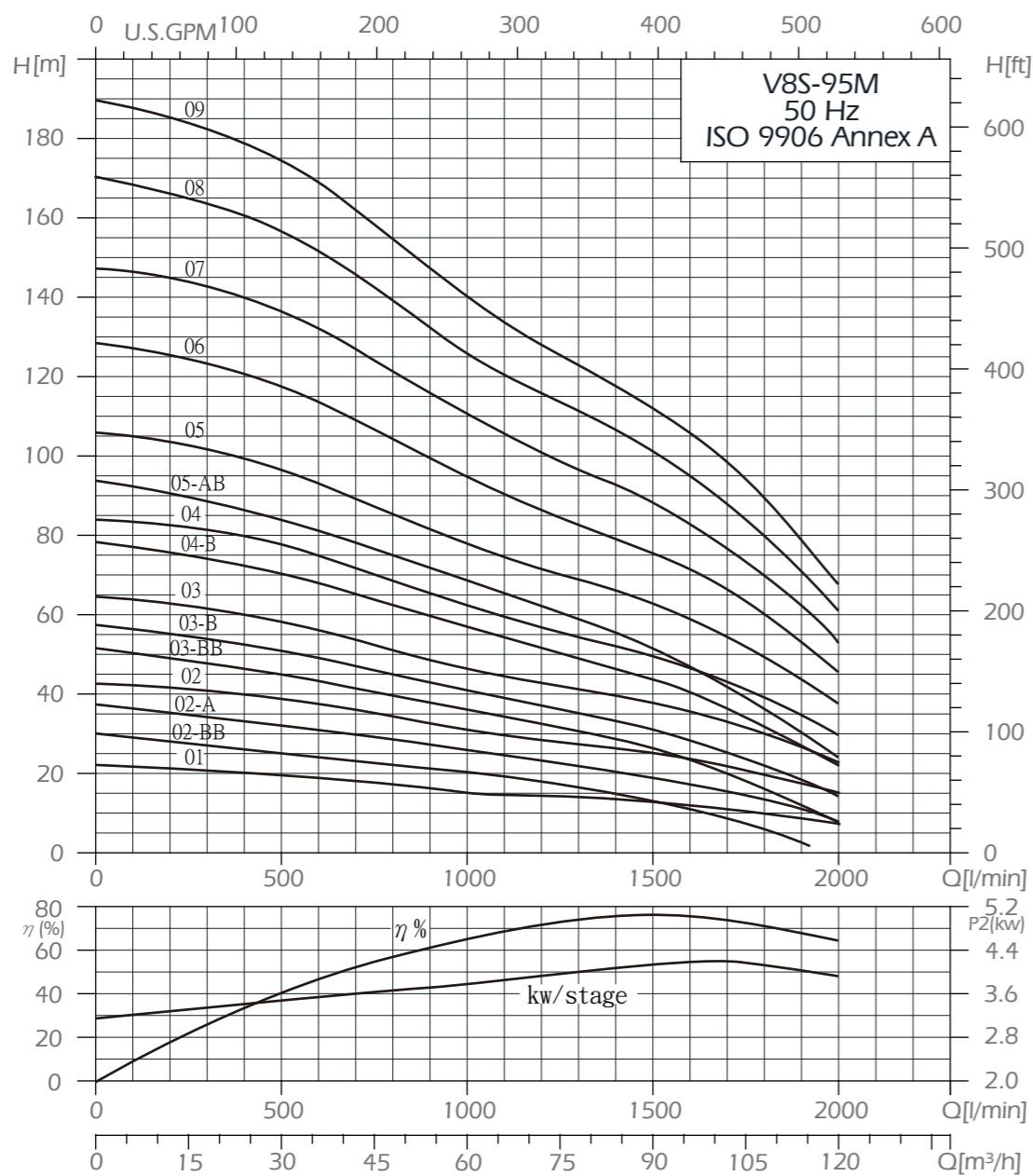


V8S-77M Selection Chart

Type	Stages	Motor		MAX.current Amp	L/MIN M³/H	Flow Rate (Q)												Weight kg
		HP	KW			200	300	400	500	600	700	800	900	1100	1300	1500	1700	
V8S-77M10	10	50	37	138	80	193	188	183	177	168	160	152	145	132	117	94	68	57.4
V8S-77M11	11	50	37	138	80	211	207	202	195	186	176	167	159	145	128	104	74	61
V8S-77M12	12	60	45	154	89	244	240	234	227	217	207	198	190	173	154	130	99	66
V8S-77M13	13	75	55	192	111	263	259	252	244	235	224	214	205	187	166	139	107	69.6
V8S-77M15	15	75	55	192	111	302	298	292	284	273	260	248	237	215	191	160	120	76.8
V8S-77M16	16	85	63	240	139	322	318	312	302	290	278	265	252	228	202	172	132	80.4
V8S-77M18	18	85	63	240	139	365	359	352	341	328	312	298	285	260	230	193	147	87.6
V8S-77M20	20	100	75	256	148	402	397	389	379	364	347	330	315	287	254	212	159	94.8

V8S-77M22 is available on request.

V8S-95M Performance Curves & Selection Chart

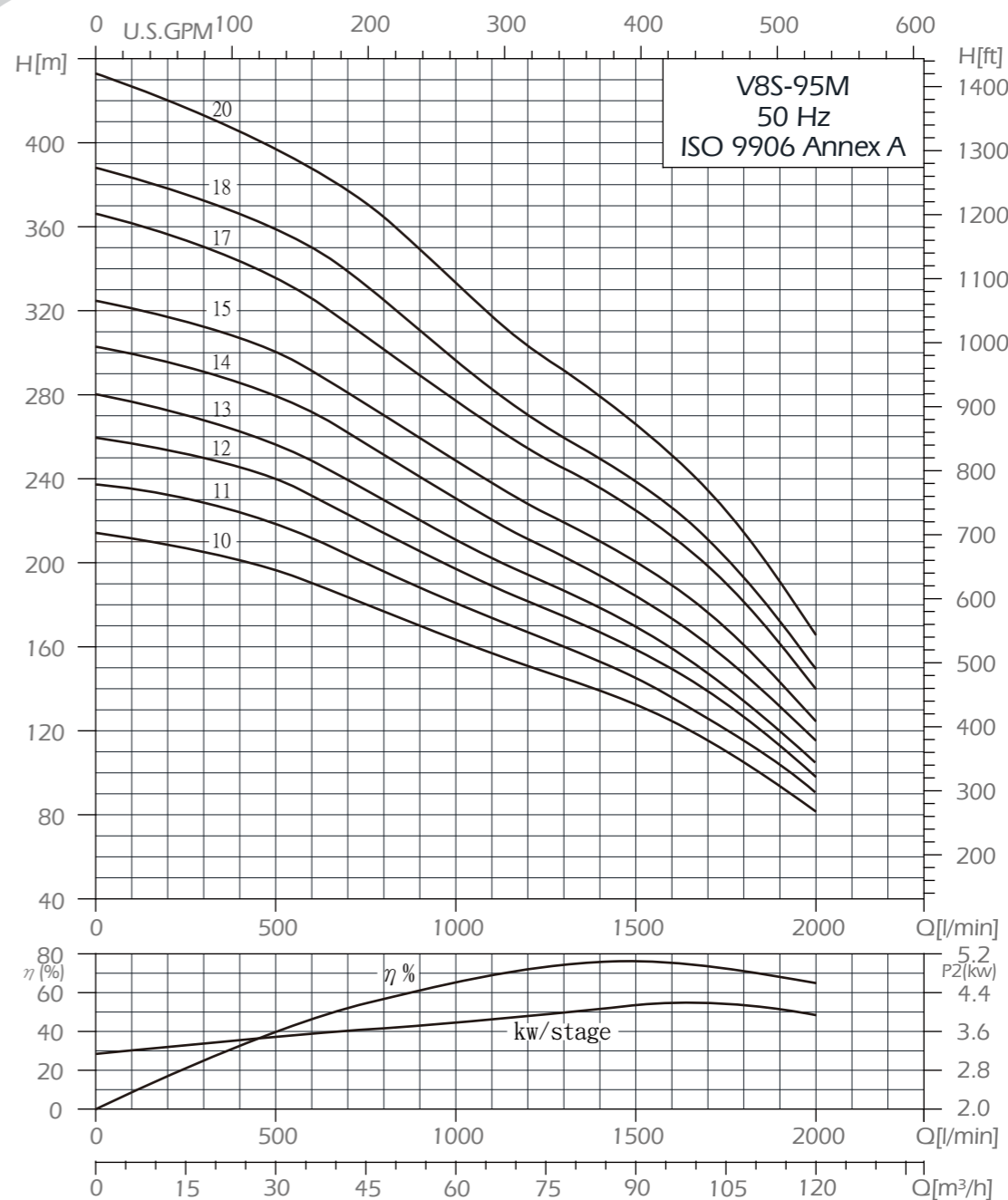


V8S-95M Selection Chart

Type	Stages	Motor		MAX.current Amp	L/MIN M³/H	Flow Rate (Q)										Weight kg		
		HP	P2 kW			300	400	500	600	700	800	1000	1200	1400	1600		1800	2000
V8S-95M01	1	7.5	5.5	21.9	12.7	18	24	30	36	42	48	60	72	84	96	108	120	25.1
V8S-95M02-BB	2	7.5	5.5	21.9	12.7	27	26	25	24	23	22	20	18	15	11	5	0	28.7
V8S-95M02-A	2	10	7.5	28.5	16.5	34	33	32	31	30	28	26	24	21	17	13	8	28.7
V8S-95M03-BB	3	12.5	9.3	36	20.9	41	40	39	37	36	34	31	29	26	23	20	15	28.7
V8S-95M03-B	3	12.5	9.3	36	20.9	48	46	45	43	41	40	36	33	28	23	16	8	32.3
V8S-95M03	3	17.5	13	50	29	54	53	51	49	47	45	41	37	33	28	22	15	32.3
V8S-95M04-B	4	20	15	55	32	62	60	59	57	54	51	47	43	40	35	30	23	32.3
V8S-95M04	4	25	18.5	69	40	74	73	71	68	65	62	56	52	47	40	32	22	35.9
V8S-95M05-AB	5	25	18.5	69	40	82	80	78	75	72	68	62	57	53	47	39	30	35.9
V8S-95M05	5	30	22	81	47	89	87	84	82	78	75	68	62	55	47	36	25	39.5
V8S-95M06	6	35	26	96	56	102	100	97	94	90	85	77	72	66	59	50	38	39.5
V8S-95M07	7	40	30	111	64	123	121	118	114	110	104	94	86	79	72	60	46	43
V8S-95M08	8	50	37	138	80	143	140	137	132	127	121	110	101	93	83	70	53	46.6
V8S-95M09	9	50	37	138	80	164	160	157	152	146	139	126	116	106	95	80	62	50.2
V8S-95M09	9	50	37	138	80	182	179	175	169	163	155	140	128	118	106	90	68	53.8

All technical information is subject to change without notice.

V8S-95M Performance Curves & Selection Chart



V8S-95M Selection Chart

Type	Stages	Motor		MAX.current Amp	L/MIN M³/H	Flow Rate (Q)										Weight kg		
		HP	P2 kW			300	400	500	600	700	800	1000	1200	1400	1600		1800	2000
V8S-95M10	10	60	45	154	89	206	201	197	190	183	177	162	150	140	124	105	82	58.8
V8S-95M11	11	75	55	192	111	230	225	220	212	204	196	180	167	152	137	116	90	62.4
V8S-95M12	12	75	55	192	111	250	245	240	231	222	214	197	181	167	150	126	99	66
V8S-95M13	13	75	55	192	111	268	263	258	250	240	230	210	195	180	160	135	106	69.6
V8S-95M14	14	85	63	240	139	291	286	280	271	261	251	230	210	194	174	147	116	73.2
V8S-95M15	15	100	75	256	148	312	308	300	292	281	270	248	228	210	190	160	126	76.7
V8S-95M17	17	100	75	256	148	350	344	336	327	316	302	277	255	235	212	180	140	84
V8S-95M18	18	125	93	335	194	372	366	360	350	340	326	296	270	250	227	192	150	87.6
V8S-95M20	20	125	93	335	194	412	406	397	388	378	365	333	302	279	251	214	166	94.8

EVAK V-Series 10" Stainless Steel Submersible Pumps



V10S

V10S

Evak's VS 10" SST submersible pumps are designed for heavy duty And high volume pumping applications. High efficient hydraulic Impeller and diffuser designs reduce energy requirements and Provide long and dependable service life, even in difficult environments

Pumped Liquids:
Clean, non-corrosive and non-abrasive liquids

Operating Conditions:
Max. liquid temperature: 60°C
Sand content: Max. 50 g/m³

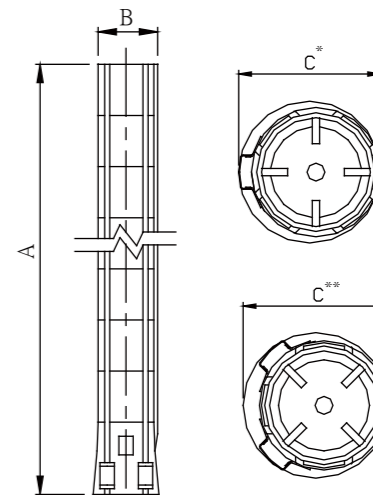
Feature

- > All stainless steel design & Built-in Jam-free check valve
- > NEMA Standards Mounting Specification
- > High quality shaft bearing for low friction
- > High wear resistance SST Impeller
- > SST Impeller & Diffuser ensuring optimal performance
- > SST Strainer prevents the Entry of Sand & other extraneous material

Application

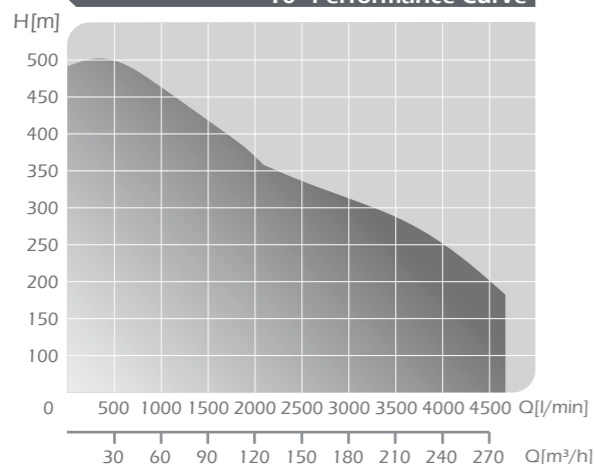
- > Municipal Water supply, treatment & distribution.
- > Agricultural-Irrigation, livestock watering, etc.
- > Industrial cooling, cleaning and production
- > Pressure boosting & Fountains, etc.

V10S Dimensions



Unit(mm)

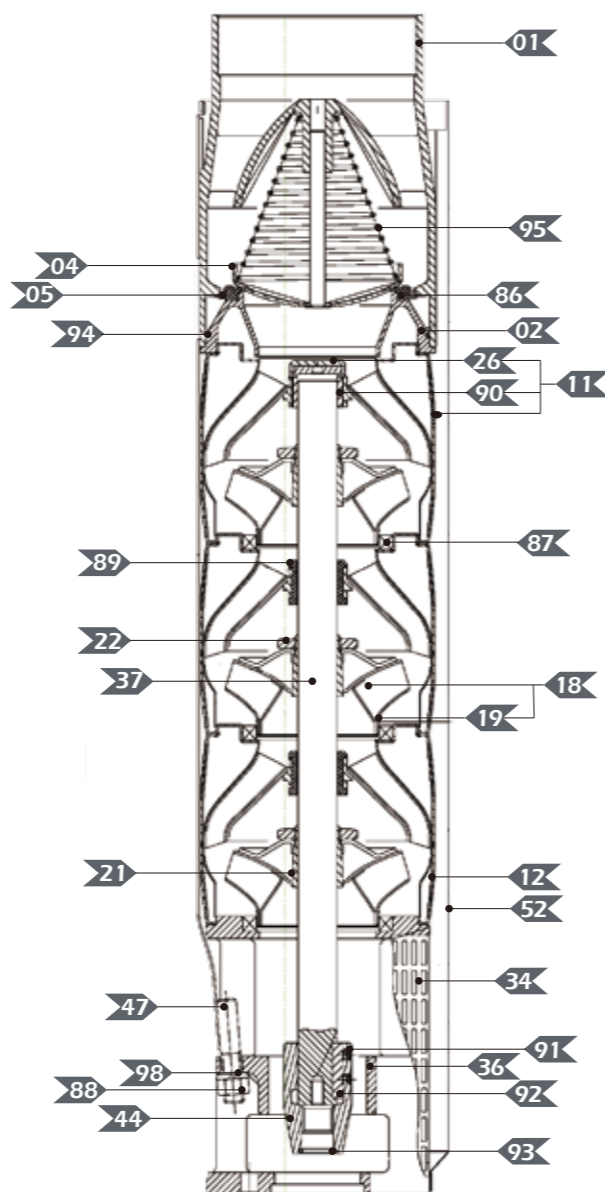
10" Performance Curve



Parts and Material List

No	Part	Material	Standard
01	Discharge	Stainless Steel	304
02	Lower Valve Seat Retainer	Stainless Steel	304
04	Valve Cup	Stainless Steel	304
05	Upper Valve Seat Retainer	Stainless Steel	304
11	Top Diffuser	Stainless Steel	304
12	Diffuser	Stainless Steel	304
18	Impeller	Stainless Steel	304
19	Ring of Impeller	Stainless Steel	304
21	Split Cone	Stainless Steel	304
22	Split Cone Nut	Stainless Steel	304
26	Spacing	Carbon/Graphite/PTFE	
34	Strainer	Stainless Steel	304
36	Suction Interconnector	Stainless Steel	304
37	Pump shaft	Stainless Steel	431
44	Coupling	Stainless Steel	304
47	Strap	Stainless Steel	304
52	Cable Guard	Stainless Steel	304
86	Valve Seat	NBR	
87	Neck Ring	NBR+SUS 304	
88	Nut	Stainless Steel	304
89	Bearing	NBR	
90	Bearing	NBR+SUS 304	
91	Screw	Stainless Steel	304
92	Key	Stainless Steel	304
93	O-ring	NBR	
94	O-ring	NBR	
95	Spring	Stainless Steel	304
98	Spring Washer	Stainless Steel	304

Example V10S-125M



V10S-125M Dimensions

Type	B 6"Connection(RP)			B 6"Flange		
	A	C*	C**	A	C*	C**
V10S-125M01-A	652	211	218	652	222	226
V10S-125M01	652	211	218	652	222	226
V10S-125M02-AA	807	211	218	807	222	226
V10S-125M02-A	807	211	218	807	222	226
V10S-125M02	807	211	218	807	222	226
V10S-125M03-AA	963	211	218	963	222	226
V10S-125M03-A	963	211	218	963	222	226
V10S-125M03	963	211	218	963	222	226
V10S-125M04-AA	1118	211	218	1118	222	226
V10S-125M04-A	1118	211	218	1118	222	226
V10S-125M04	1118	211	218	1118	222	226
V10S-125M05-AA	1274	213	218	1274	223	226
V10S-125M05-A	1274	213	218	1274	223	226
V10S-125M05	1274	213	218	1274	223	226
V10S-125M06-AA	1429	213	218	1429	223	226
V10S-125M06-A	1429	213	218	1429	223	226
V10S-125M06	1429	213	218	1429	223	226
V10S-125M07-AA	1585	218	227	1585	229	232
V10S-125M07-A	1585	218	227	1585	229	232
V10S-125M07	1585	218	227	1585	229	232
V10S-125M08-AA	1740	218	227			
V10S-125M08-A	1740	218	227			
V10S-125M08	1740	218	227			
V10S-125M09-AA	1896	218	227			
V10S-125M09-A	1896	218	227			
V10S-125M09	1896	218	227			
V10S-125M10-AA	2051	218	227			
V10S-125M10-A	2051	218	227			
V10S-125M10	2051	218	227			
V10S-125M11	2207	218	227			
V10S-125M12						
V10S-125M13						
V10S-125M14						
V10S-125M15						
V10S-125M16						

V10S-160M Dimensions

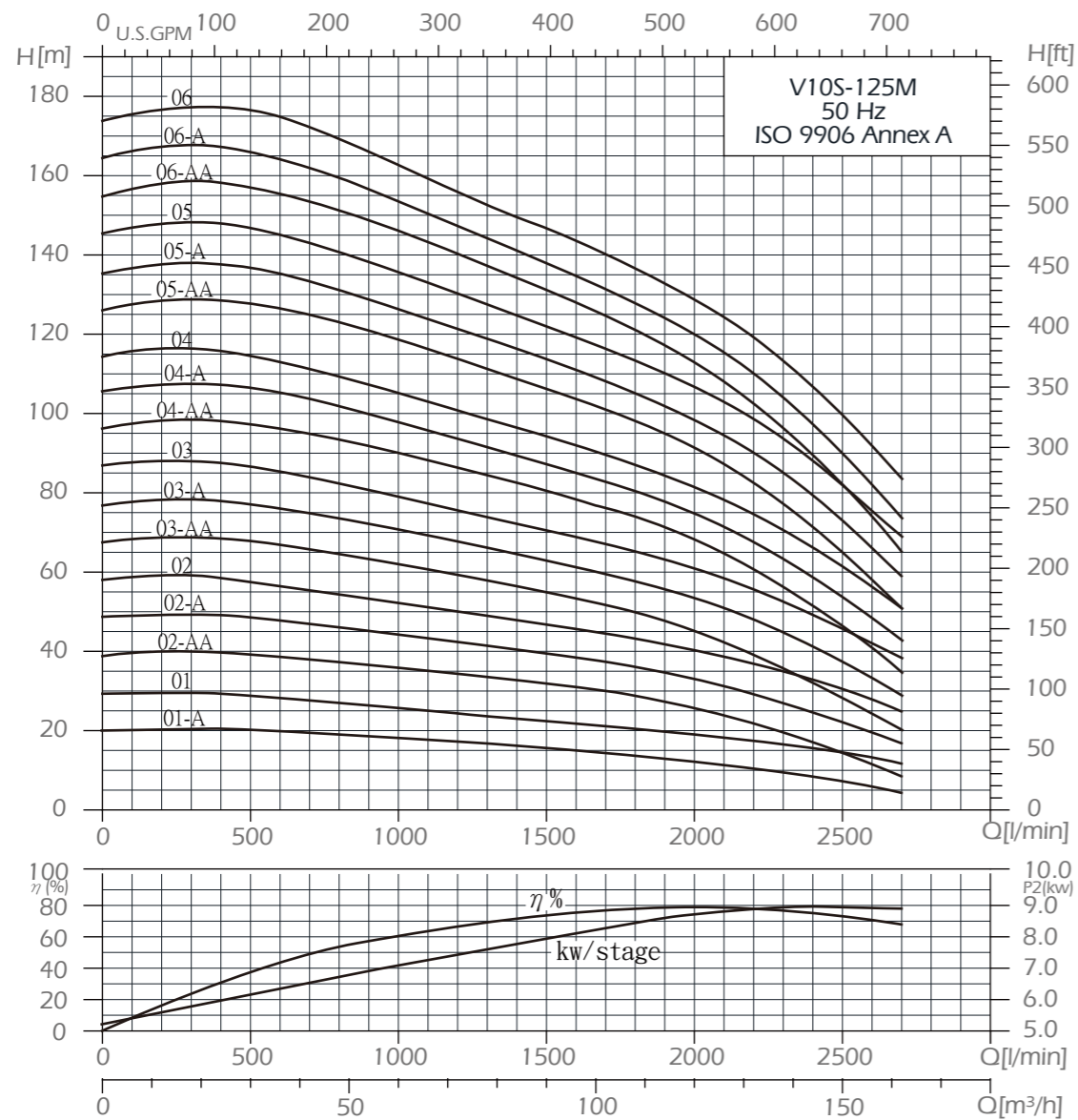
Type	B 6"Connection(RP)			B 6"Flange		
	A	C*	C**	A	C*	C**
V10S-160M01-A	652	211	218	652	222	226
V10S-160M01	652	211	218	652	222	226
V10S-160M02-AA	807	211	218	807	222	226
V10S-160M02-A	807	211	218	807	222	226
V10S-160M02	807	211	218	807	222	226
V10S-160M03-AA	963	211	218	963	222	226
V10S-160M03-A	963	211	218	963	222	226
V10S-160M03	963	211	218	963	222	226
V10S-160M04-AA	1118	218	227	1118	229	232
V10S-160M04-A	1118	218	227	1118	229	232
V10S-160M04	1118	218	227	1118	229	232
V10S-160M05-AA	1274	218	227	1274	229	232
V10S-160M05-A	1274	218	227	1274	229	232
V10S-160M05	1274	218	227	1274	229	232
V10S-160M06-AA	1429	218	227	1429	229	232
V10S-160M06-A	1429	218	227	1429	229	232
V10S-160M06	1429	218	227	1429	229	232
V10S-160M07-AA	1585	218	227			
V10S-160M07-A	1585	218	227			
V10S-160M07	1585	218	227			
V10S-160M08-AA	1740	218	227			
V10S-160M08-A	1740	218	227			
V10S-160M08	1740	218	227			
V10S-160M09-AA	1896	218	227			
V10S-160M09-A	1896	218	227			
V10S-160M09	1896	218	227			
V10S-160M10-AA	2051	218	227			
V10S-160M10-A	2181	227	247			
V10S-160M10	2181	227	247			
V10S-160M11	2337	227	247			
V10S-160M12	2492	227	247			
V10S-160M13	2648	227	247			
V10S-160M14	2803	227	247			
V10S-160M15						

V10S-215M Dimensions

Type	B 6"Connection(RP)		
	A	C*	C**
V10S-215M-1-A	771.7	237	241
V10S-215M-1	771.7	237	241
V10S-215M-2-AA	947.7	237	241
V10S-215M-2-A	947.7	237	241
V10S-215M-2	947.7	237	241
V10S-215M-3-AA	1123.7	237	241
V10S-215M-3-A	1123.7	237	241
V10S-215M-3	1123.7	237	241
V10S-215M-4-AA	1299.7	237	241
V10S-215M-4-A	1299.7	237	241
V10S-215M-4	1299.7	237	241
V10S-215M-5-AA	1475.7	237	241
V10S-215M-5-A	1475.7	237	241
V10S-215M-5	1475.7	237	241
V10S-215M-6-AA	1651.7	237	241
V10S-215M-6-A	1651.7	237	241
V10S-215M-6	1651.7	237	241
V10S-215M-7-AA	1827.7	262	274
V10S-215M-7-A	1827.7	262	274
V10S-215M-7	1827.7	262	274
V10S-215M-8-AA	2003.7	262	274
V10S-215M-8-A	2003.7	262	274
V10S-215M-8	2003.7	262	274
V10S-215M-9-AA	2179.7	262	274
V10S-215M-9-A	2179.7	262	274
V10S-215M-9	2179.7	262	274
V10S-215M-10-AA			
V10S-215M-10-A			
V10S-215M-10			
V10S-215M-11			

C* = Maximum diameter of pump with one motor cable
C** = Maximum diameter of pump with two motor cable

V10S-125M Performance Curves & Selection Chart

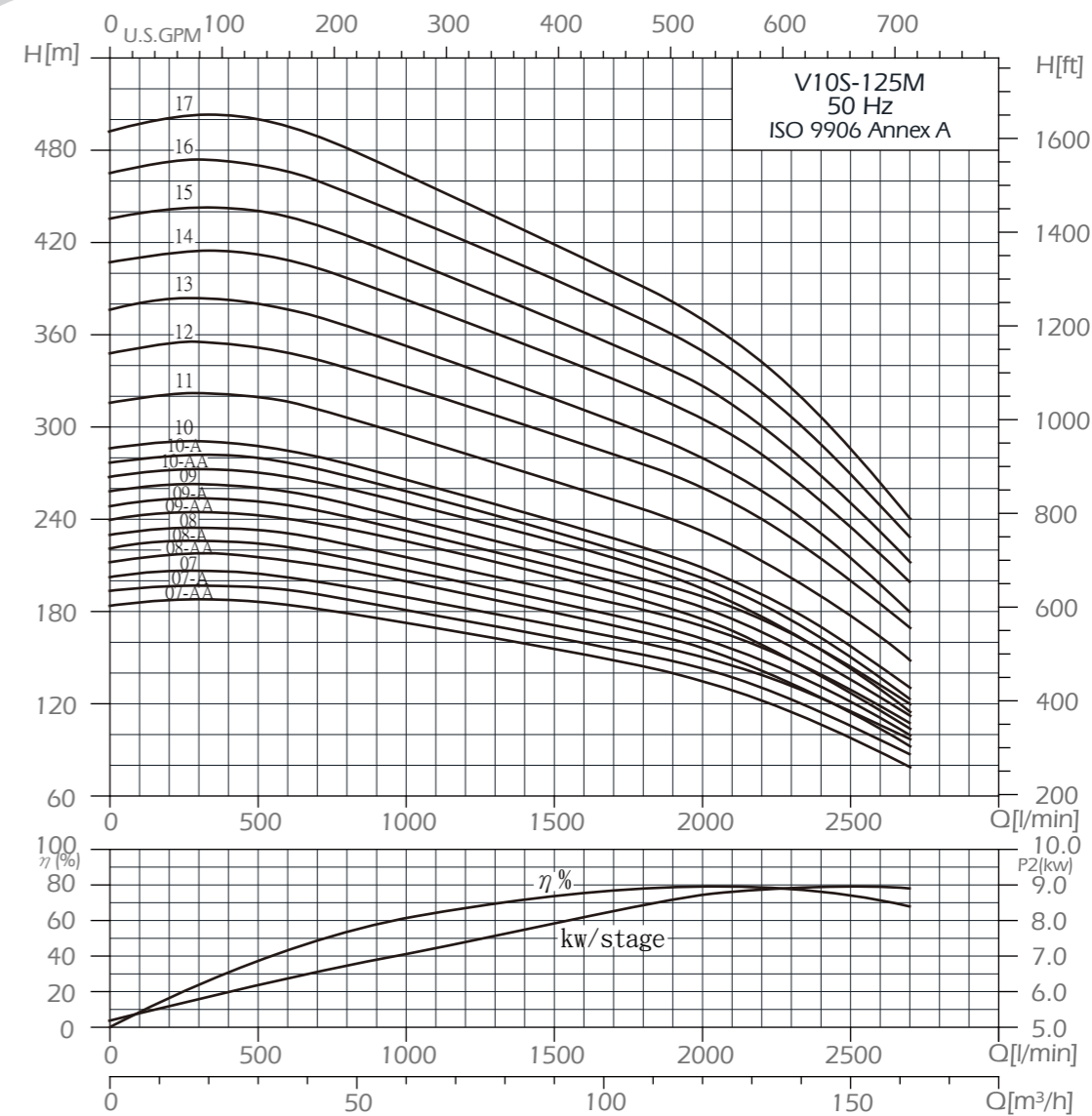


V10S-125M Selection Chart

Type	Stages	Motor	MAX.current	L/MIN	500	700	900	1100	1300	1500	1700	1900	2100	2300	2500	2700	Weight	
		HP P2 kW	Amp 220V/380V	M³/H													kg	
V10S-125M01-A	1	10	7.5	28.5	16.5	20	19	18	18	17	16	15	14	12	10	7	4	29.2
V10S-125M01	1	15	11	41.8	24.2	29	28	26	25	24	22	22	20	18	17	15	12	29.26
V10S-125M02-AA	2	17.5	13	50	29	39	38	37	36	34	32	30	28	24	20	15	9	35.64
V10S-125M02-A	2	25	18.5	69	40	49	48	46	44	41	39	38	35	32	28	22	17	35.7
V10S-125M02	2	30	22	81	47	58	56	54	52	49	47	44	42	39	35	31	25	35.76
V10S-125M03-AA	3	30	22	81	47	68	66	64	61	58	55	52	48	43	36	29	20	42.14
V10S-125M03-A	3	35	26	96	56	77	75	73	69	66	63	60	56	51	45	37	29	42.2
V10S-125M03	3	40	30	111	64	87	89	81	78	74	71	68	63	58	53	46	39	42.26
V10S-125M04-AA	4	50	37	138	80	98	95	92	88	85	81	77	72	65	67	47	35	47.06
V10S-125M04-A	4	50	37	138	80	106	104	100	96	92	87	83	78	72	64	54	43	48.64
V10S-125M04	4	50	37	138	80	115	112	108	103	98	94	89	84	78	71	62	51	51.94
V10S-125M05-AA	5	60	45	154	89	128	125	121	116	112	107	101	95	87	78	65	51	48.7
V10S-125M05-A	5	60	45	154	89	137	133	129	124	119	114	108	102	95	85	73	59	52
V10S-125M05	5	75	55	192	111	147	144	138	133	128	122	117	111	103	94	83	69	48.76
V10S-125M06-AA	6	75	55	192	111	157	154	149	143	138	131	125	118	108	97	82	65	52.06
V10S-125M06-A	6	75	55	192	111	166	162	156	151	144	138	132	125	116	104	90	74	55.14
V10S-125M06	6	85	63	240	139	176	173	166	159	153	147	140	133	124	114	100	84	56.94

All technical information is subject to change without notice.

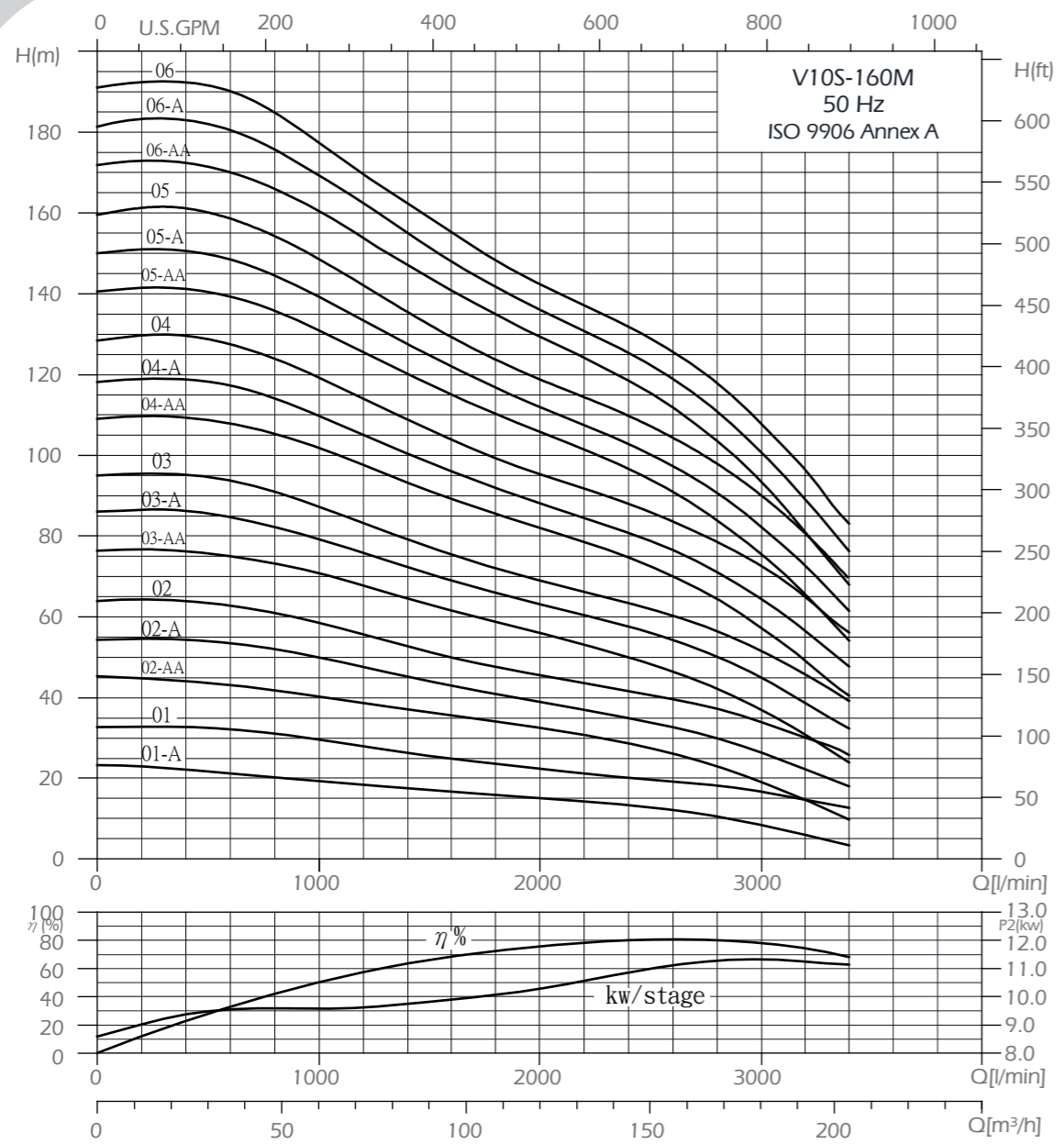
V10S-125M Performance Curves & Selection Chart



V10S-125M Selection Chart

Type	Stages	Motor	MAX.current	L/MIN	500	700	900	1100	1300	1500	1700	1900	2100	2300	2500	2700	Weight	
		HP P2 kW	Amp 220V/380V	M³/H													kg	
V10S-125M07-AA	7	85	63	240	139	187	183	176	170	163	156	148	140	129	115	98	79	55.2
V10S-125M07-A	7	85	63	240	139	196	191	185	178	170	163	155	148	137	123	106	83	57
V10S-125M07	7	100	75	256	148	205	200	194	186	178	171	164	155	145	132	116	98	57.06
V10S-125M08-AA	8	100	75	256	148	216	211	204	196	188	180	172	162	149	134	115	93	61.94
V10S-125M08-A	8	100	75	256	148	224	218	212	204	195	187	178	168	156	141	122	100	62
V10S-125M08	8	100	75	256	148	233	227	220	212	203	194	186	176	165	149	130	108	62.06
V10S-125M09-AA	9	125	93	335	194	243	238	230	221	212	203	193	182	168	150	128	104	66.94
V10S-125M09-A	9	125	93	335	194	252	245	237	228	219	210	200	189	175	158	137	113	67
V10S-125M09	9	125	93	335	194	261	255	246	236	226	217	207	196	183	166	145	120	67.06
V10S-125M10-AA	10	125	93	335	194	271	265	256	246	236	226	215	203	186	167	144	115	71.94
V10S-125M10-A	10	125	93	335	194	280	273	264	253	243	232	221	209	193	175	151	123	72
V10S-125M10	10	125	93	335	194	288	281	271	261	250	239	227	215	201	182	159	131	72.06
V10S-125M11	11	150	110	390	226	319	312	301	289	277	265	254	240	223	202	177	149	76.94
V10S-125M12	12	175	132			352	345	333	320	308	295	283	269	251	228	200	169	77
V10S-125M13	13	175	132			381	372	360	346	332	318	304	289	270	246	216	180	77.06
V10S-125M14	14	200	147			413	404	390	375	361	346	332	316	295	269	236	200	81.94
V10S-125M15	15	200	147			441	431	417	401	385	370	354	336	315	286	251	213	82
V10S-125M16	16	230	170			471	460	445	428	412	396	379	361	338	308	270	229	82.06
V10S-125M17	17	230	170			500	490	473	455	436	418	406	382	358	325	286	241	87.06

V10S-160M Performance Curves & Selection Chart

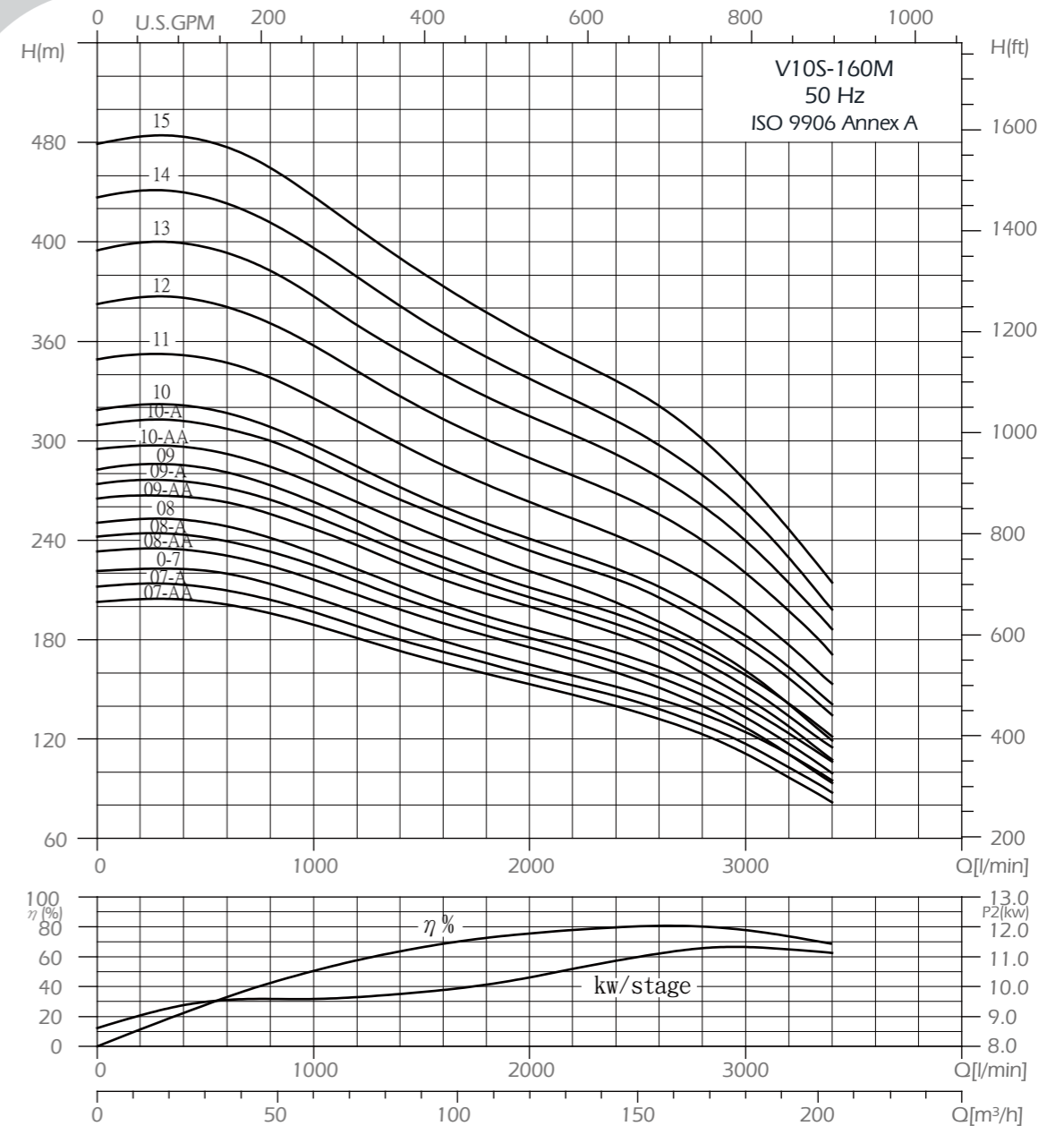


V10S-160M Selection Chart

Type	Stages	Motor	MAX.current	L/MIN	H: TOTAL HEAD IN METERS													Weight
					600	900	1200	1500	1800	2100	2400	2700	3000	3300				
V10S-160M01-A	1	12.5	9.2	36	20.9	36	54	72	90	108	126	144	162	180	198	30.40		
V10S-160M01	1	17.5	13	50	29	32	31	28	25	24	22	20	19	17	14	30.40		
V10S-160M02-AA	2	25	18.5	69	40	43	41	39	36	34	32	29	25	19	12	36.74		
V10S-160M02-A	2	30	22	81	47	53	51	48	44	41	38	35	32	27	20	36.82		
V10S-160M02	2	35	26	96	56	63	60	56	51	48	45	42	38	34	28	36.82		
V10S-160M03-AA	3	40	30	111	64	75	72	68	63	59	55	50	45	37	28	43.16		
V10S-160M03-A	3	50	37	138	80	85	81	76	71	66	62	58	52	45	36	43.24		
V10S-160M03	3	50	37	138	80	94	89	83	78	72	68	64	59	52	43	43.24		
V10S-160M04-AA	4	60	45	154	89	108	104	98	91	85	80	75	68	57	45	50.90		
V10S-160M04-A	4	60	45	154	89	117	112	105	98	92	86	81	74	65	52	50.98		
V10S-160M04	4	75	55	192	111	128	122	114	106	99	94	88	81	73	61	50.98		
V10S-160M05-AA	5	75	55	192	111	139	134	126	118	110	104	97	88	75	60	57.32		
V10S-160M05-A	5	75	55	192	111	148	142	134	125	117	110	103	94	82	67	57.40		
V10S-160M05	5	85	63	240	139	158	152	142	132	124	117	110	102	90	76	57.40		
V10S-160M06-AA	6	85	63	240	139	170	163	154	144	135	127	119	108	93	75	63.74		
V10S-160M06-A	6	100	75	256	148	180	173	162	152	142	133	125	115	101	83	63.82		
V10S-160M06	6	100	75	256	148	190	182	170	158	148	140	132	122	108	90	63.82		

All technical information is subject to change without notice.

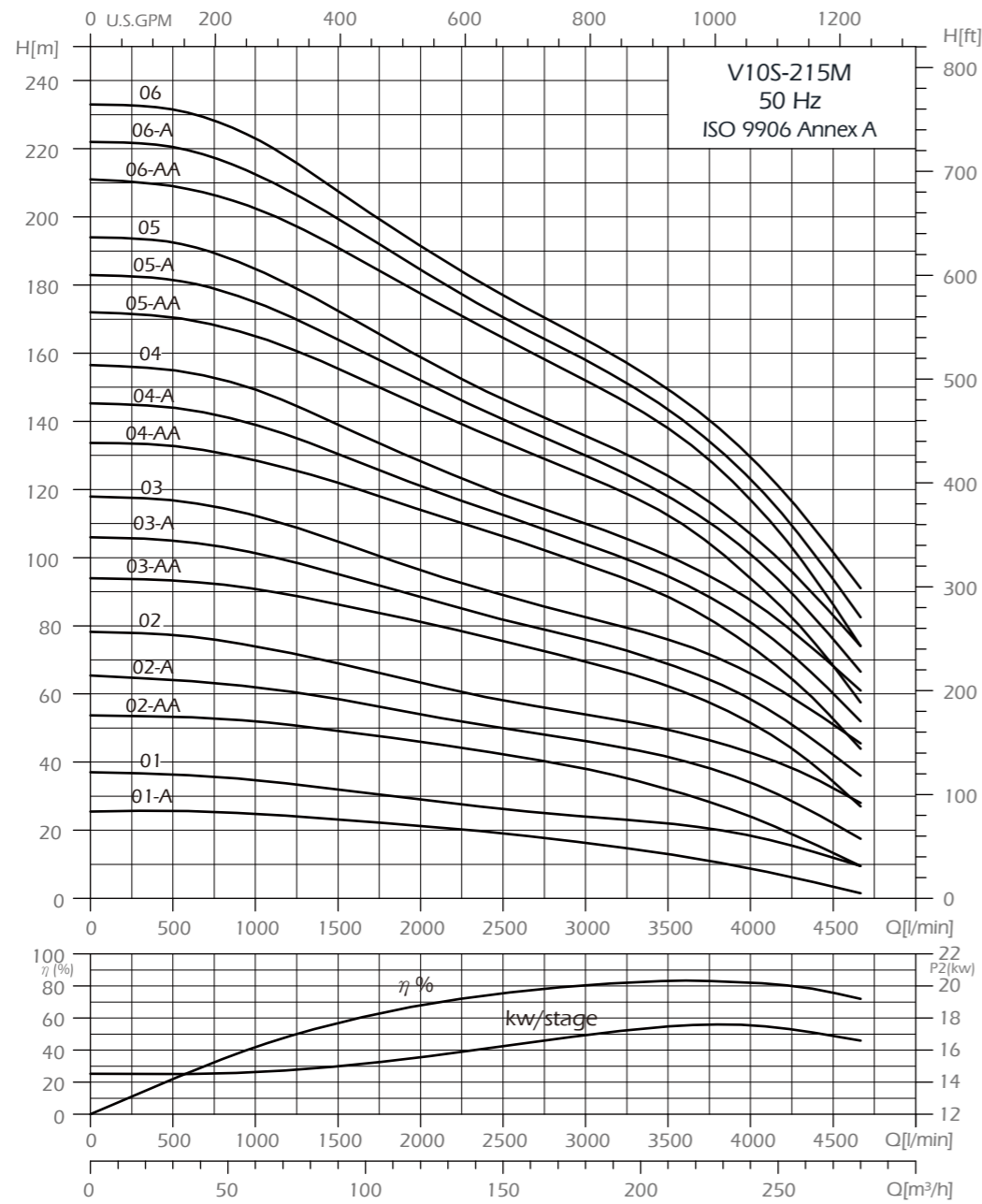
V10S-160M Performance Curves & Selection Chart



V10S-160M Selection Chart

Type	Stages	Motor	MAX.current	L/MIN	H: TOTAL HEAD IN METERS													Weight
					600	900	1200	1500	1800	2100	2400	2700	3000	3300				
V10S-160M07-AA	7	100	75	256	148	200	193	181	169	159	150	140	128	111	89	70.16		
V10S-160M07-A	7	125	92	335	194	210	201	188	177	166	156	146	134	117	96	70.24		
V10S-160M07	7	125	92	335	194	220	210	196	183	172	162	152	140	124	102	70.24		
V10S-160M08-AA	8	125	92	335	194	230	220	208	194	183	172	160	146	126	102	76.58		
V10S-160M08-A	8	125	92	335	194	239	229	215	201	189	177	167	152	133	108	76.66		
V10S-160M08	8	125	92	335	194	248	237	222	208	194	183	172	158	140	115	76.66		
V10S-160M09-AA	9	150	110	390	226	263	252	237	222	208	196	183	167	146	117	83.00		
V10S-160M09-A	9	150	110	390	226	272	260	244	228	214	202	189	174	152	124	83.00		
V10S-160M09	9	150	110	390	226	281	268	252	235	220	207	196	180	159	131	83.00		
V10S-160M10-AA	10	150	110	390	226	292	280	263	246	231	217	202	184	161	131	89.42		
V10S-160M10-A	10	175	132			307	295	277	259	244	230	216	199	176	145	102.62		
V10S-160M10	10	175	132			317	303	284	266	250	236	223	205	182	152	102.62		
V10S-160M11	11	175	132			347	332	312	292	274	258	243	224	199	165	109.04		
V10S-160M12	12	200	147			380	365	342	320	301	285	268	248	221	184	115.46		
V10S-160M13	13	230	170			413	395	371	347	327	309	292	269	240	200	121.88		
V10S-160M14	14	230	170			443	425	399	373	350	332	312	288	257	213	128.30		
V10S-160M15	15	255	190			477	456	428	402	377	356	336	311	276	231			

V10S-215M Performance Curves & Selection Chart

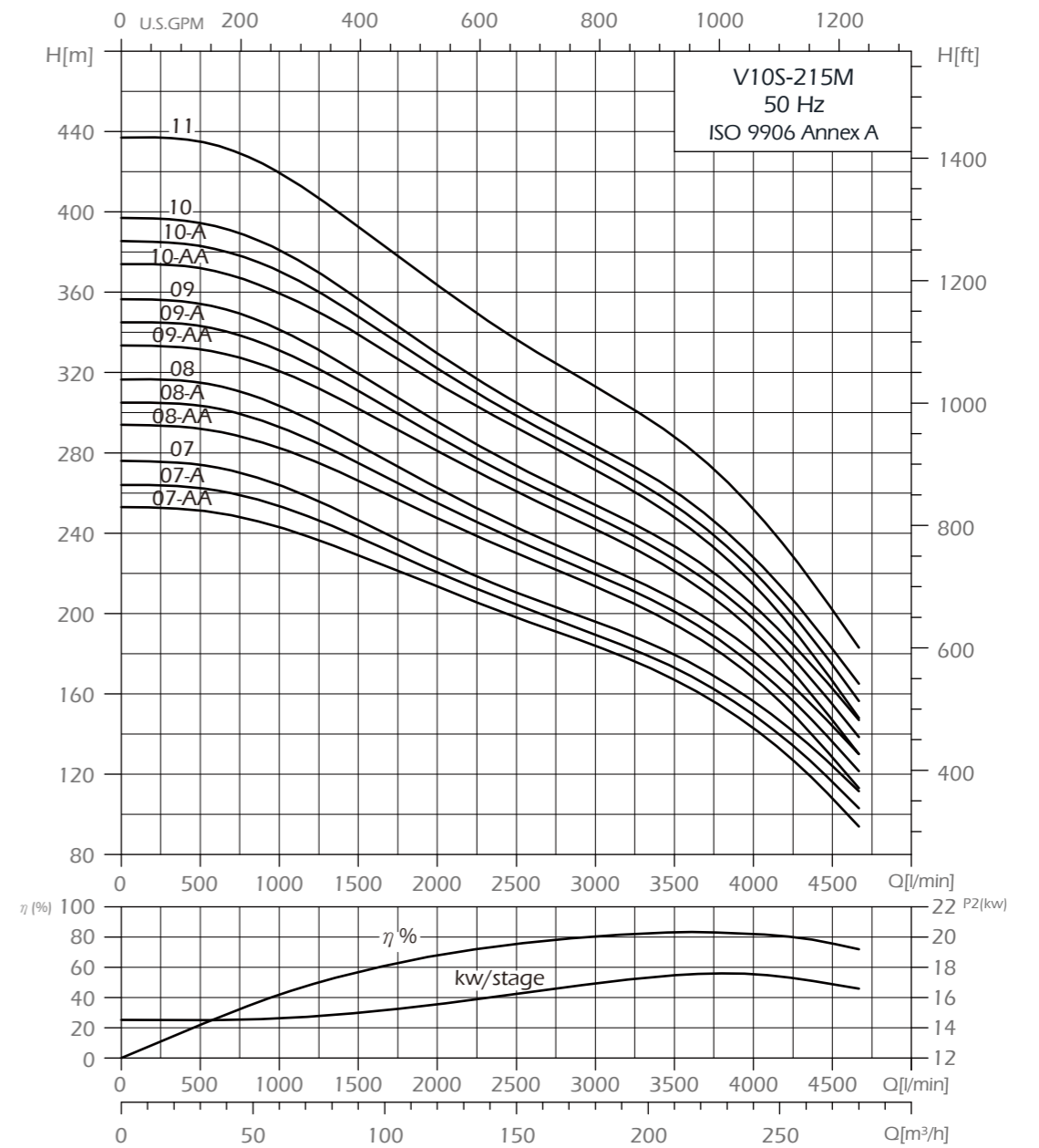


V10S-215M Selection Chart

Type	Stages	Motor HP kW	MAX.current Amp 220V 380V	L/MIN M³/H	Flow Rate (Q)										Weight kg	
					500	750	1000	1250	1500	2000	2500	3000	3500	4000		4500
V10S-215M01-A	1	20 15	55 32	H: TOTAL HEAD IN METERS	26	25.5	25	24	23	21	19	16	13	9	4	46.08
V10S-215M-1	1	25 18.5	69 40		36.5	36	35	33	32	29	26	24	22	18	12	46.08
V10S-215M-2-AA	2	40 30	111 64		53	52.5	52	50	49	46	42	38	32	24	14	56.12
V10S-215M-2-A	2	50 37	138 80		64	63	62	60	58	54	50	46	41	34	22	56.12
V10S-215M-2	2	60 45	154 89		77	76	74	71	69	63	58	54	49	42	32	55.78
V10S-215M-3-AA	3	75 55	192 111		93	92	90	88	86	81	75	69	62	51	34	65.60
V10S-215M-3-A	3	75 55	192 111		105	103	101	98	95	88	82	76	69	58	42	65.60
V10S-215M-3	3	85 63	240 139		117	115	112	108	104	96	89	82	76	66	51	65.60
V10S-215M-4-AA	4	100 75	256 148		133	131	128	125	122	114	106	98	88	74	53	75.42
V10S-215M-4-A	4	100 75	256 148		144	142	139	135	130	121	112	104	94	81	60	75.42
V10S-215M-4	4	100 75	256 148		155	152	149	144	139	128	118	110	100	87	68	75.42
V10S-215M-5-AA	5	125 93	335 194		170	168	165	160	155	144	134	124	112	94	68	85.80
V10S-215M-5-A	5	125 93	335 194		181	179	175	170	164	152	140	130	118	101	76	85.80
V10S-215M-5	5	125 93	335 194		192	189	184	179	172	159	146	135	124	107	83	85.80
V10S-215M-6-AA	6	150 110	390 226		209	206	202	197	191	178	164	152	138	117	86	96.18
V10S-215M-6-A	6	150 110	390 226		220	217	212	206	199	184	170	158	143	123	93	96.18
V10S-215M-6	6	150 110	390 226	231	228	223	216	207	191	177	164	149	129	101	96.18	

All technical information is subject to change without notice.

V10S-215M Performance Curves & Selection Chart



V10S-215M Selection Chart

Type	Stages	Motor HP kW	MAX.current Amp 220V 380V	L/MIN M³/H	Flow Rate (Q)										Weight kg
					500	750	1000	1250	1500	2000	2500	3000	3500	4000	
V10S-215M-7-AA	7	175 132	H: TOTAL HEAD IN METERS	251	248	243	236	229	213	198	184	167	143	108	111.24
V10S-215M-7-A	7	175 132		262	259	253	246	238	220	204	189	173	149	116	111.24
V10S-215M-7	7	175 132		274	270	264	255	246	227	210	196	180	156	124	111.24
V10S-215M-8-AA	8	200 147		292	288	282	274	266	247	230	213	195	168	128	121.48
V10S-215M-8-A	8	200 147		303	299	293	284	275	255	236	219	201	174	136	121.48
V10S-215M-8	8	200 147		315	310	303	294	284	262	243	225	207	181	144	121.48
V10S-215M-9-AA	9	230 170		331	327	320	312	302	281	260	242	221	191	146	131.72
V10S-215M-9-A	9	230 170		343	338	331	321	311	288	267	248	227	197	155	131.72
V10S-215M-9	9	230 170		354	349	341	331	319	295	273	254	233	204	162	131.72
V10S-215M-10-AA	10	255 190		372	367	359	350	339	314	292	271	248	214	166	
V10S-215M-10-A	10	255 190		383	378	370	360	347	322	296	277	254	221	174	
V10S-215M-10	10	255 190	394	389	381	369	356	329	305	283	261	228	182		
V10S-215M-11	11	300 220	435	429	419	407	392	363	336	313	288	252	201		