

V-Series



Plastic Submersible Pumps
V4P

50 Hz



Evak Pump Technology Corp.
No. 551, Zhongshan Rd., Qingshui Dist,
Taichung City 436, Taiwan.
Tel : +886-426-233556
Fax: +886-426-235559
www.evak-pumps.com

V-Series

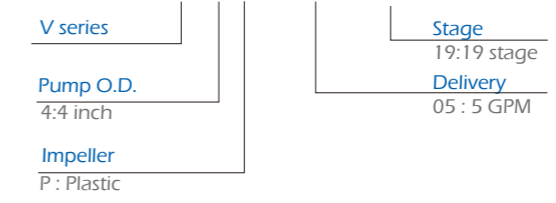
Index / Plastic Submersible Pumps

VP-Series

Index/Type Key—02	
General Data—03	
V4P-05—05	V4P-35—10
V4P-10—06	V4P-40—11
V4P-13—07	V4P-55—12
V4P-18—08	V4P-60—13
V4P-25—09	V4P-80—14

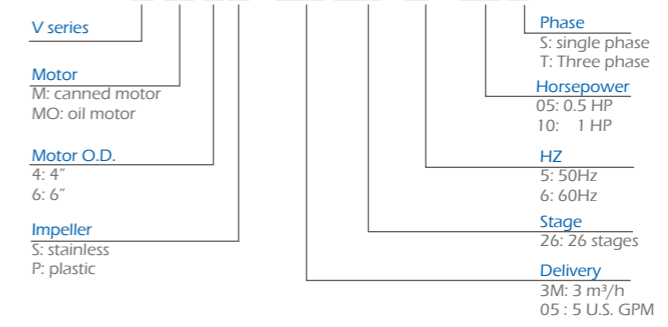
Type Key

Pump Type key V4P-0519



Pump & Motor Type key

VM4P-0526-5.10S



Pumps & Pumps

EVAK V-Series 4" Plastic Submersible Deep Well Pumps



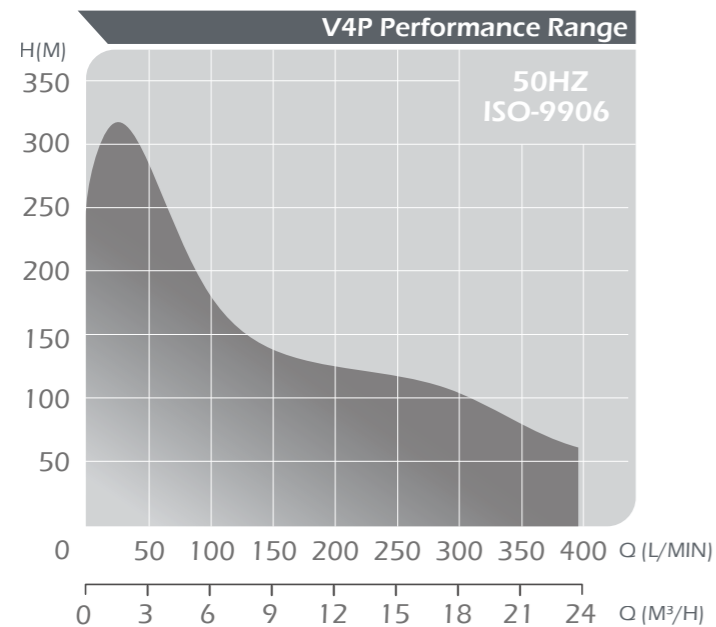
V4P

V4P

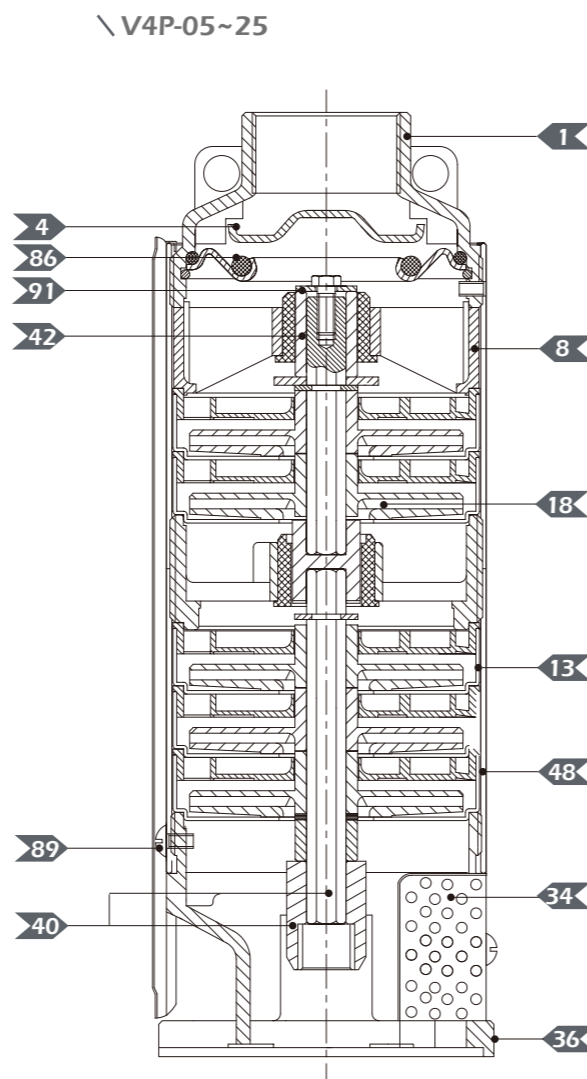
Evak's 4" VP series of pumps are manufactured using high quality material, and are designed to deliver years of reliable service. Pumps are on the floating impeller design which reduces starting torque requirements and decreases the effects of sand in the water.

Pumped Liquids:
Clean, non-corrosive and non-abrasive liquids

Operating Conditions:
Max. Liquid temperature : 60 °C
Sand content: Max. 50 g/m³



Parts and Material List		
No.	Part	Material
1	Discharge	SUS304
4	Valve Cone	SUS304
8	Upper Bearing Spider	Glass/Polycarbonate
13	Bowl	SUS304
18	Impeller	Noryl
34	Strainer	SUS304
36	Suction Interconnector	SUS304
40	Pump Shaft / Coupling	SUS304
42	Upper Shaft Sleeve	SUS304
48	Casing	SUS304
86	O-ring	NBR
89	Screw	SUS304
91	Washer	SUS304

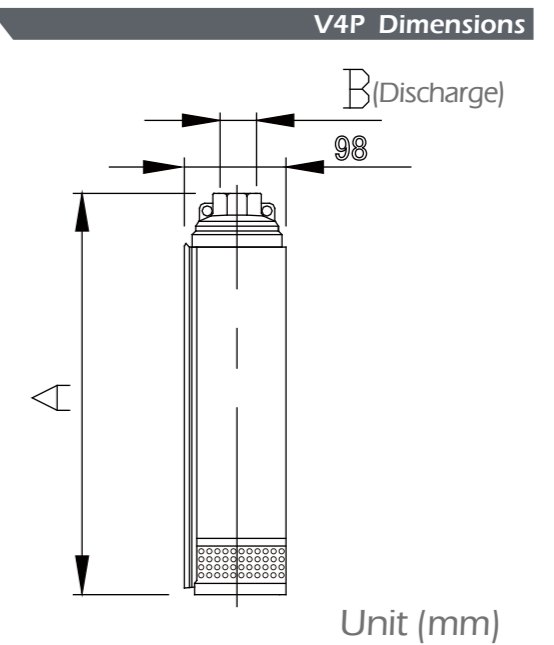


Feature

- > The discharge has a built-in check valve
- > The pump body is covered by a 304 polished stainless steel shell
- > The shafts are made from hex 304 stainless steel bar material
- > Impellers are floating type (Noryl)

Application

- > Potable water supply from deep wells
- > Agricultural-Irrigation, livestock watering
- > Municipal and industrial
- > Pressure boosting
- > Fountains, etc



V4P-05 Dimensions and Weight			
Type	A	B	Weight(kg)
V4P-0510	324	1 1/4"	3.3
V4P-0513	377		3.7
V4P-0519	481		4.7
V4P-0526	642		5.8
V4P-0538	864		8.2

V4P-10 Dimensions and Weight			
Type	A	B	Weight(kg)
V4P-1005	236	1 1/4"	2.5
V4P-1007	271		2.8
V4P-1010	324		3.3
V4P-1014	394		3.9
V4P-1020	499		4.9
V4P-1028	680		6.9
V4P-1040	885		9.3

V4P-13 Dimensions and Weight			
Type	A	B	Weight(kg)
V4P-1305	236	1 1/4"	2.5
V4P-1308	289		2.9
V4P-1311	342		3.4
V4P-1316	430		4.2
V4P-1321	519		5.0
V4P-1332	749		7.1

V4P-18 Dimensions and Weight			
Type	A	B	Weight(kg)
V4P-1805	257	1 1/4"	2.7
V4P-1807	301		3.0
V4P-1809	344		3.3
V4P-1814	452		4.1
V4P-1818	538		4.7
V4P-1827	767		6.2
V4P-1835	934		7.9
V4P-1844	1128		9.3
V4P-1848	1253		9.9

V4P-25 Dimensions and Weight			
Type	A	B	Weight(kg)
V4P-2504	247	1 1/2"	2.4
V4P-2506	296		2.9
V4P-2508	345		3.3
V4P-2512	433		4.1
V4P-2516	542		5.0
V4P-2524	777		6.6
V4P-2532	965		8.7
V4P-2540	1160		10.4
V4P-2544	1296		11.2

V4P-35 Dimensions and Weight			
Type	A	B	Weight(kg)
V4P-3507	390	2"	3.7
V4P-3510	483		4.6
V4P-3514	607		5.7
V4P-3520	831		7.5
V4P-3527	1048		9.6
V4P-3534	1257		11.6
V4P-3536	1318		12.2
V4P-3549	1802		15.9

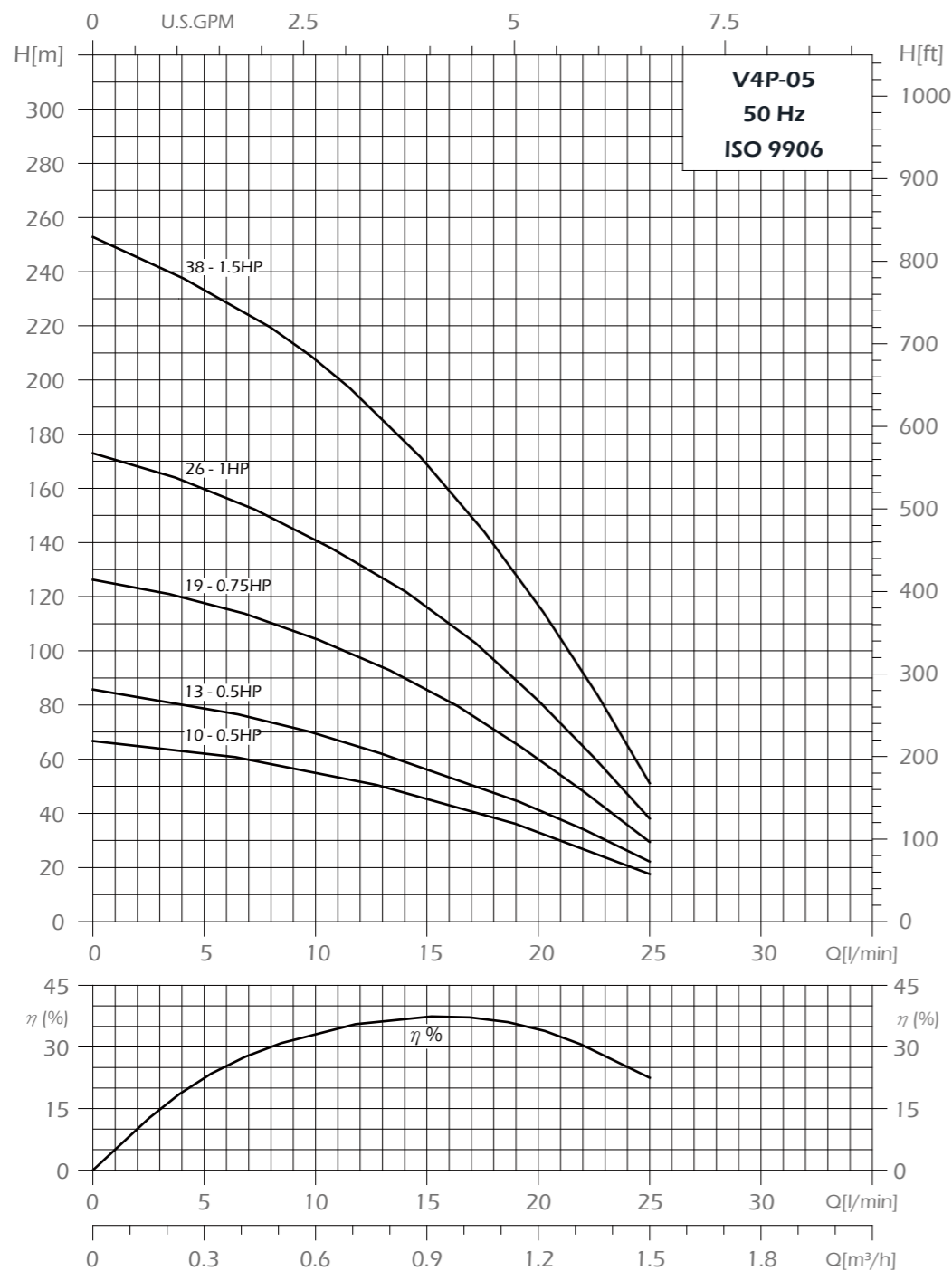
V4P-40 Dimensions and Weight			
Type	A	B	Weight(kg)
V4P-4004	294	2"	2.8
V4P-4006	356		3.4
V4P-4008	418		4.0
V4P-4013	573		5.5
V4P-4017	697		6.6
V4P-4021	859		7.8
V4P-4023	921		8.4
V4P-4032	1238		11.0

V4P-55 Dimensions and Weight			
Type	A	B	Weight(kg)
V4P-5507	537	2"	5.3
V4P-5510	693		6.7
V4P-5514	901		8.5
V4P-5518	1147		10.4
V4P-5522	1345		12.3
V4P-5524	1449		13.2
V4P-5532	1866		17

V4P-60 Dimensions and Weight			
Type	A	B	Weight(kg)
V4P-6007	534	2"	5.3
V4P-6010	690		6.7
V4P-6014	989		8.6
V4P-6017	1092		10.1
V4P-6019	1195		11.0
V4P-6026	1559		14.3

V4P-80 Dimensions and Weight			
Type	A	B	Weight(kg)
V4P-8008	676	2"	6.3
V4P-8011	880		8.1
V4P-8013	1013		9.3
V4P-8015	1149		10.5
V4P-8020	1489		13.5

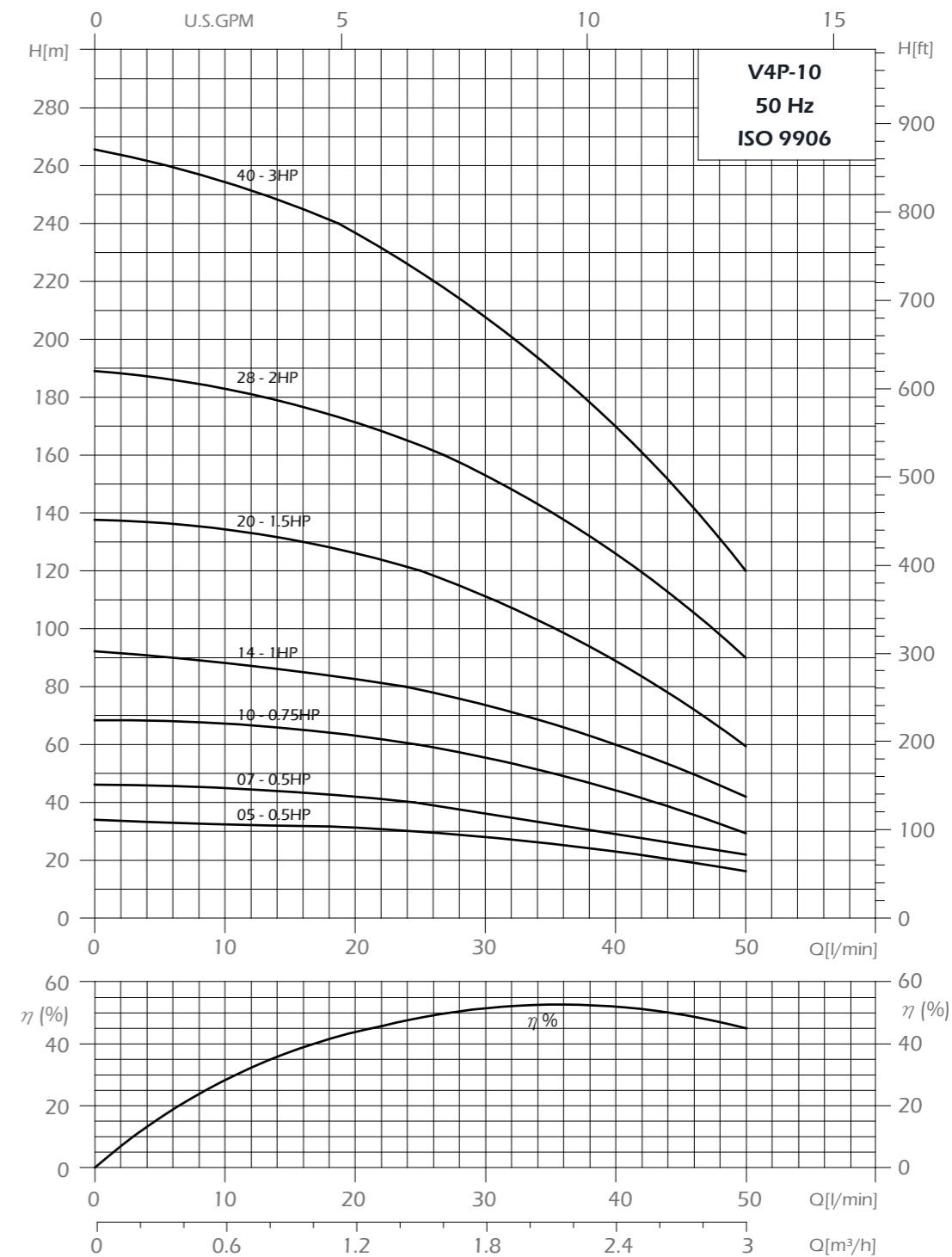
V4P-05 Performance Curves Selection Chart



Type	Stage	Motor		L/MIN	Flow (Q)										Length	Weight		
		HP	KW		0	5	10	15	20	25	30	35	40	45			50	
V4P-0510	10	0.5	0.37	M ³ /H	0	0.3	0.6	0.9	1.2	1.5	1.8	2.1	2.4	2.7	3.0	mm	kg	
V4P-0513	13	0.5	0.37	H-TOTAL HEAD IN METERS	67	63	55	46	33	18						324	3.3	
V4P-0519	19	0.75	0.55		86	78	70	56	42	23							377	3.7
V4P-0526	26	1.0	0.75		126	118	105	86	60	30							481	4.7
V4P-0538	38	1.5	1.1		173	160	141	117	81	39							642	5.8
					253	234	208	169	117	52							864	8.2

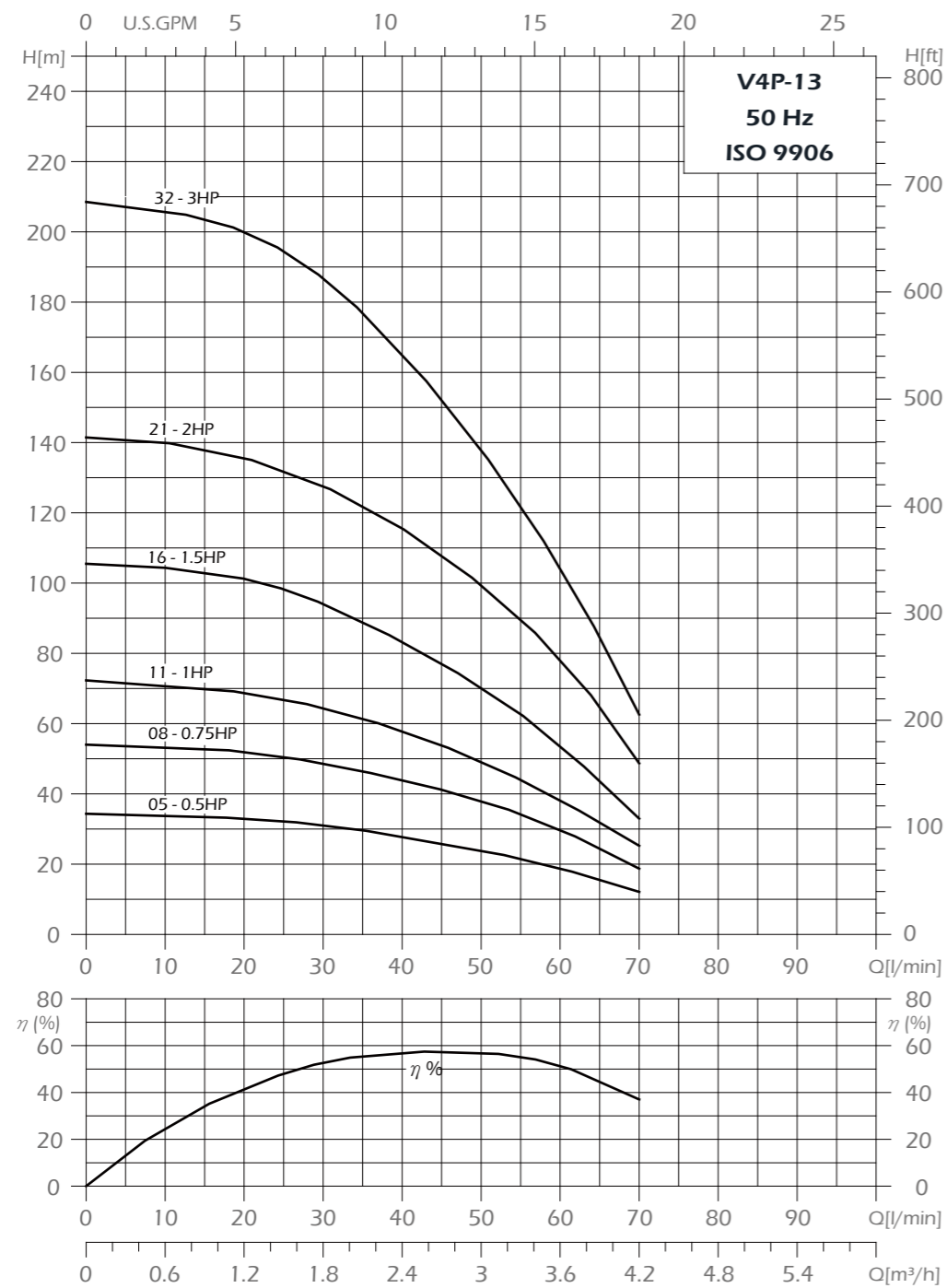
All technical information is subject to change without notice.

V4P-10 Performance Curves Selection Chart



Type	Stage	Motor		L/MIN	Flow (Q)												Length	Weight
		HP	KW		0	5	10	15	20	25	30	35	40	45	50	60		
V4P-1005	5	0.5	0.37	M ³ /H	0	0.3	0.6	0.9	1.2	1.5	1.8	2.1	2.4	2.7	3.0	3.6	mm	kg
V4P-1007	7	0.5	0.37	H-TOTAL HEAD IN METERS	34			32	31	29	27	25	23	19	16		236	2.5
V4P-1010	10	0.75	0.55		46			43	42	39	36	33	29	26	22		271	2.8
V4P-1014	14	1	0.75		69			65	63	60	55	50	44	37	29		324	3.3
V4P-1020	20	1.5	1.1		92			86	83	79	74	67	60	52	42		394	3.9
V4P-1028	28	2	1.5		139			131	127	120	111	101	90	75	60		499	4.9
V4P-1040	40	3	2.2		189			178	172	164	153	140	126	108	90		680	6.9
					265			247	237	224	208	189	170	147	120		885	9.3

V4P-13 Performance Curves Selection Chart

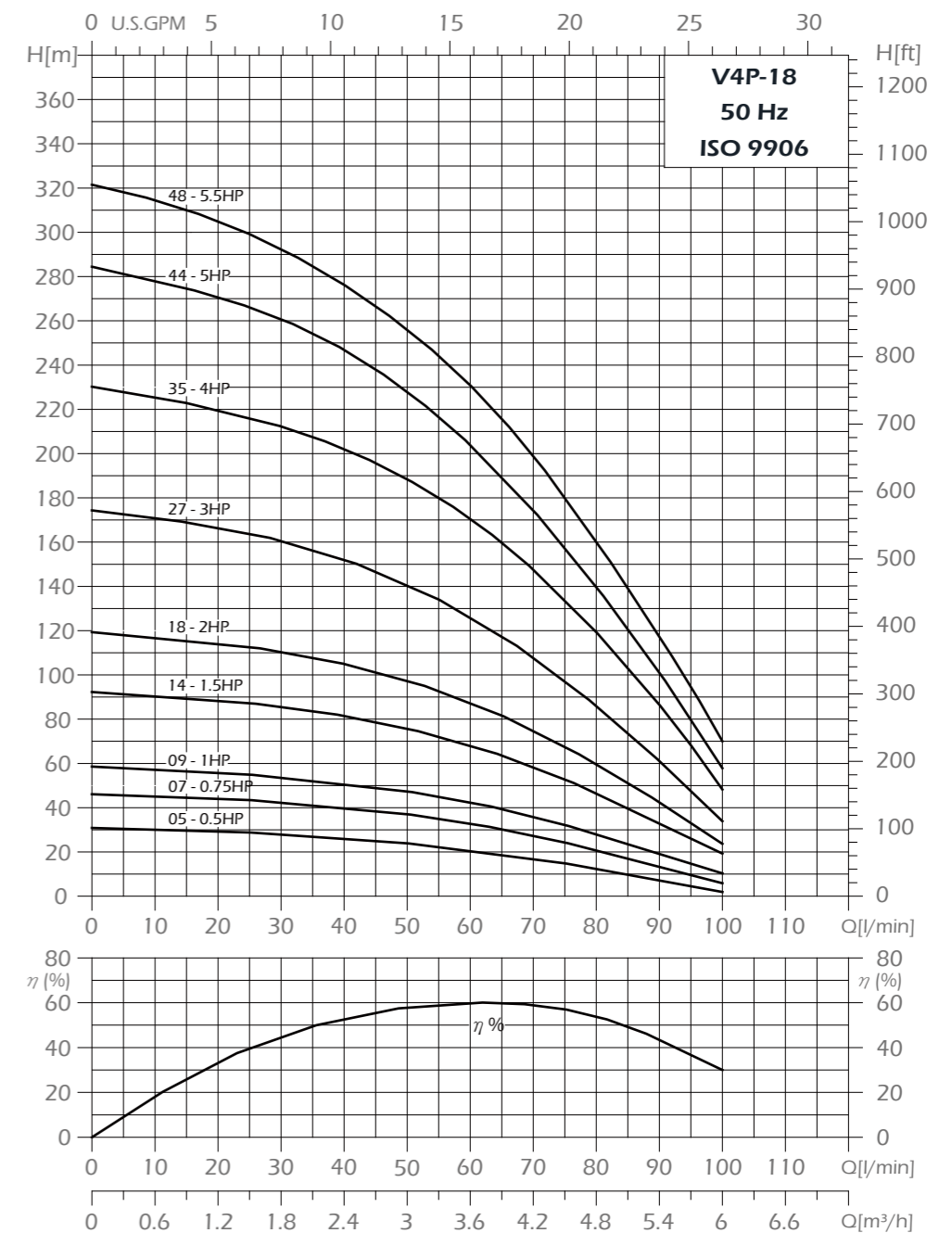


V4P-13 Selection Chart

Type	Stage	Motor	L/MIN	0	15	20	25	30	35	40	45	50	60	70	Length	Weight
		HP KW	M³/H	0	0.9	1.2	1.5	1.8	2.1	2.4	2.7	3.0	3.6	4.2	mm	kg
V4P-1305	5	0.5 0.37	0.9	34		32	31	30	29	28	26	24	19	13	236	2.5
V4P-1308	8	0.75 0.55	1.2	54	51	50	49	46	43	41	38	30	19		289	2.9
V4P-1311	11	1.0 0.75	1.5	72	68	66	64	61	58	54	49	38	26		342	3.4
V4P-1316	16	1.5 1.1	1.8	106	101	98	95	89	83	77	70	54	33		430	4.2
V4P-1321	21	2.0 1.5	2.1	142	135	132	127	122	115	108	100	79	49		519	5.0
V4P-1332	32	3.0 2.2	2.4	208	200	194	187	177	165	152	138	104	62		749	7.1

All technical information is subject to change without notice.

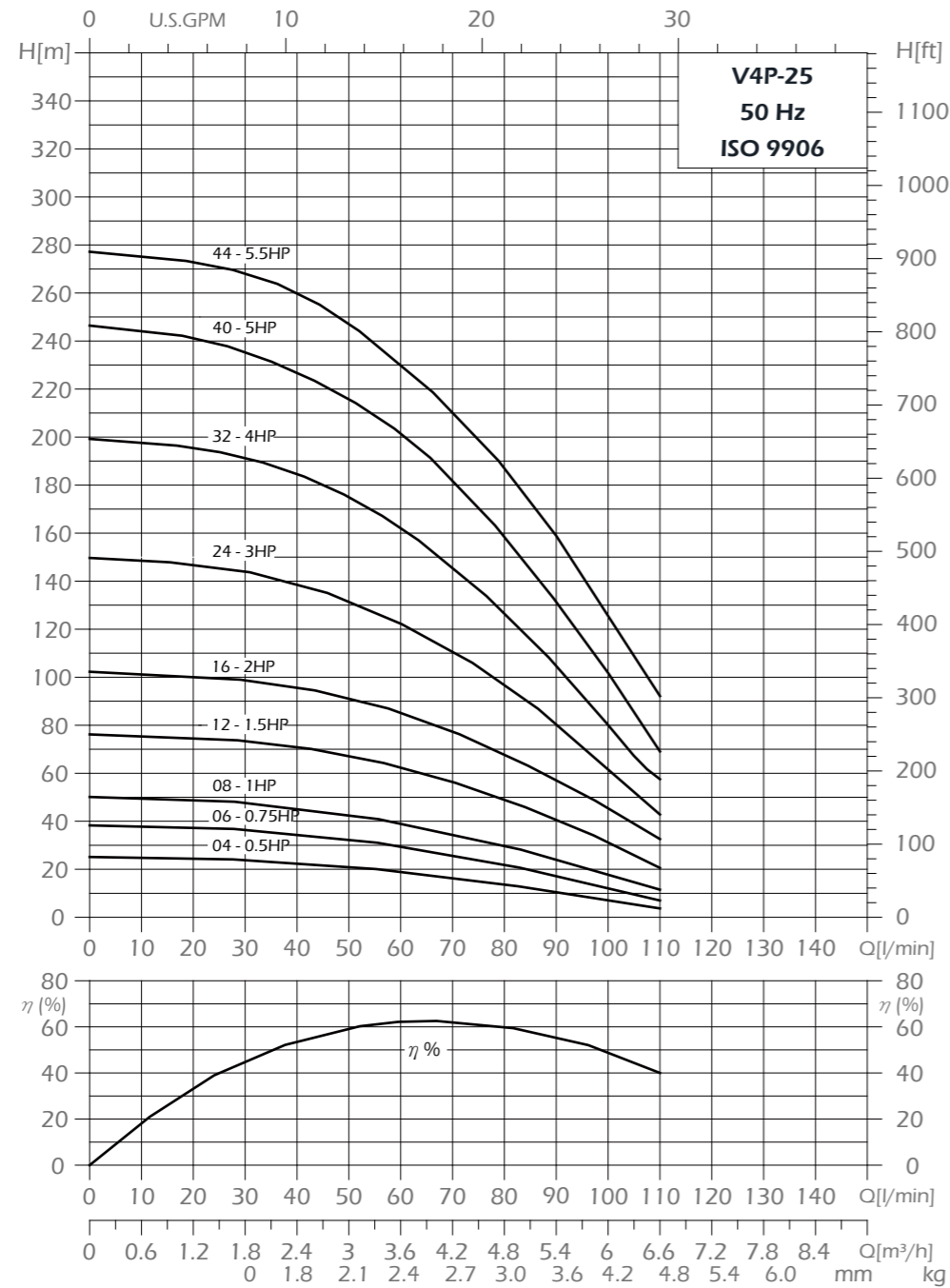
V4P-18 Performance Curves Selection Chart



V4P-18 Selection Chart

Type	Stage	Motor	L/MIN	0	20	25	30	35	40	45	50	60	70	80	90	100	Length	Weight
		HP KW	M³/H	0	1.2	1.5	1.8	2.1	2.4	2.7	3.0	3.6	4.2	4.8	5.4	6.0	mm	kg
V4P-1805	5	0.5 0.37	0.9	33		29	28	27	26	25	24	21	18	13	8	3	257	2.7
V4P-1807	7	0.75 0.55	1.2	46	43	42	41	40	39	37	33	28	21	13	7		301	3.0
V4P-1809	9	1.0 0.75	1.5	59	55	54	52	51	49	47	43	37	28	20	10		344	3.3
V4P-1814	14	1.5 1.1	1.8	93	87	86	83	81	79	76	68	58	47	33	20		452	4.1
V4P-1818	18	2.0 1.5	2.1	120	113	111	108	105	102	98	88	75	60	42	25		538	4.7
V4P-1827	27	3.0 2.2	2.4	175	164	161	157	152	147	141	127	109	87	61	35		767	6.2
V4P-1835	35	4.0 3.0	2.7	231	217	212	208	202	196	189	170	149	120	87	50		934	7.9
V4P-1844	44	5.0 3.7	3.0	285	266	260	254	248	238	229	203	172	139	100	59		1128	9.3
V4P-1848	48	5.5 4.0	3.6	322	299	292	285	276	267	256	231	199	160	118	70		1253	9.9

V4P-25 Performance Curves Selection Chart

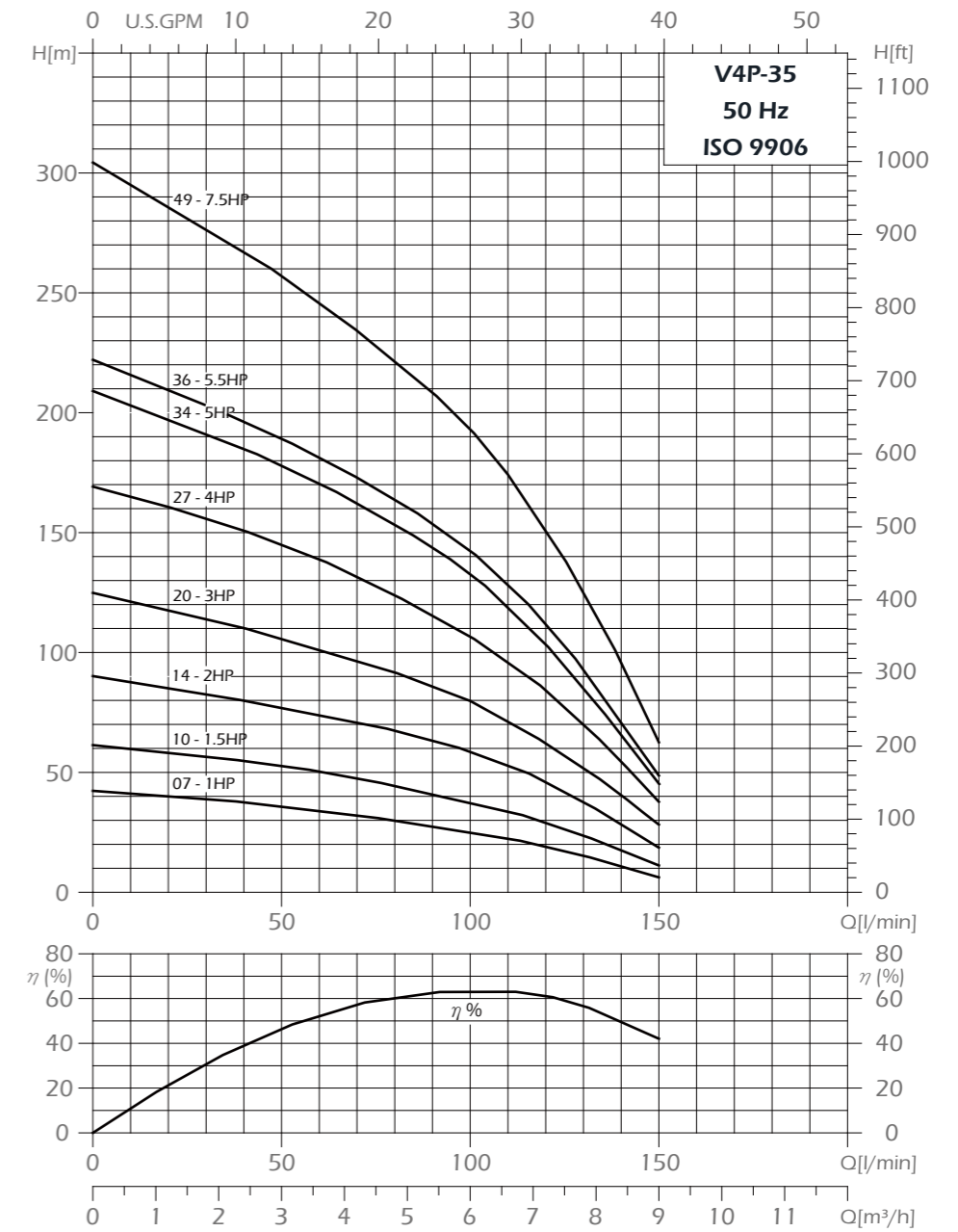


V4P-25 Selection Chart

Type	Stage	Motor		L/MIN	Q [l/min]											Length	Weight
		HP	KW		0	30	35	40	45	50	60	70	80	90	100		
V4P-2504	4	0.5	0.37	M³/H	26		23	22	22	21	19	17	14	11	7	247	2.4
V4P-2506	6	0.75	0.55		38		36	35	33	32	30	26	22	18	12	296	2.9
V4P-2508	8	1.0	0.75		51		47	46	44	43	39	35	30	24	18	345	3.3
V4P-2512	12	1.5	1.1		77		72	71	69	68	63	57	49	41	31	433	4.1
V4P-2516	16	2.0	1.5		102		98	96	94	92	86	77	68	57	46	542	5.0
V4P-2524	24	3.0	2.2		151		142	139	136	132	122	111	97	80	62	777	6.6
V4P-2532	32	4.0	3.0		203		188	185	180	175	162	146	127	105	80	965	8.7
V4P-2540	40	5.0	3.7		253		232	227	222	216	202	182	159	131	102	1160	10.4
V4P-2544	44	5.5	4.0		278		265	260	254	247	230	210	187	159	127	1296	11.2

All technical information is subject to change without notice.

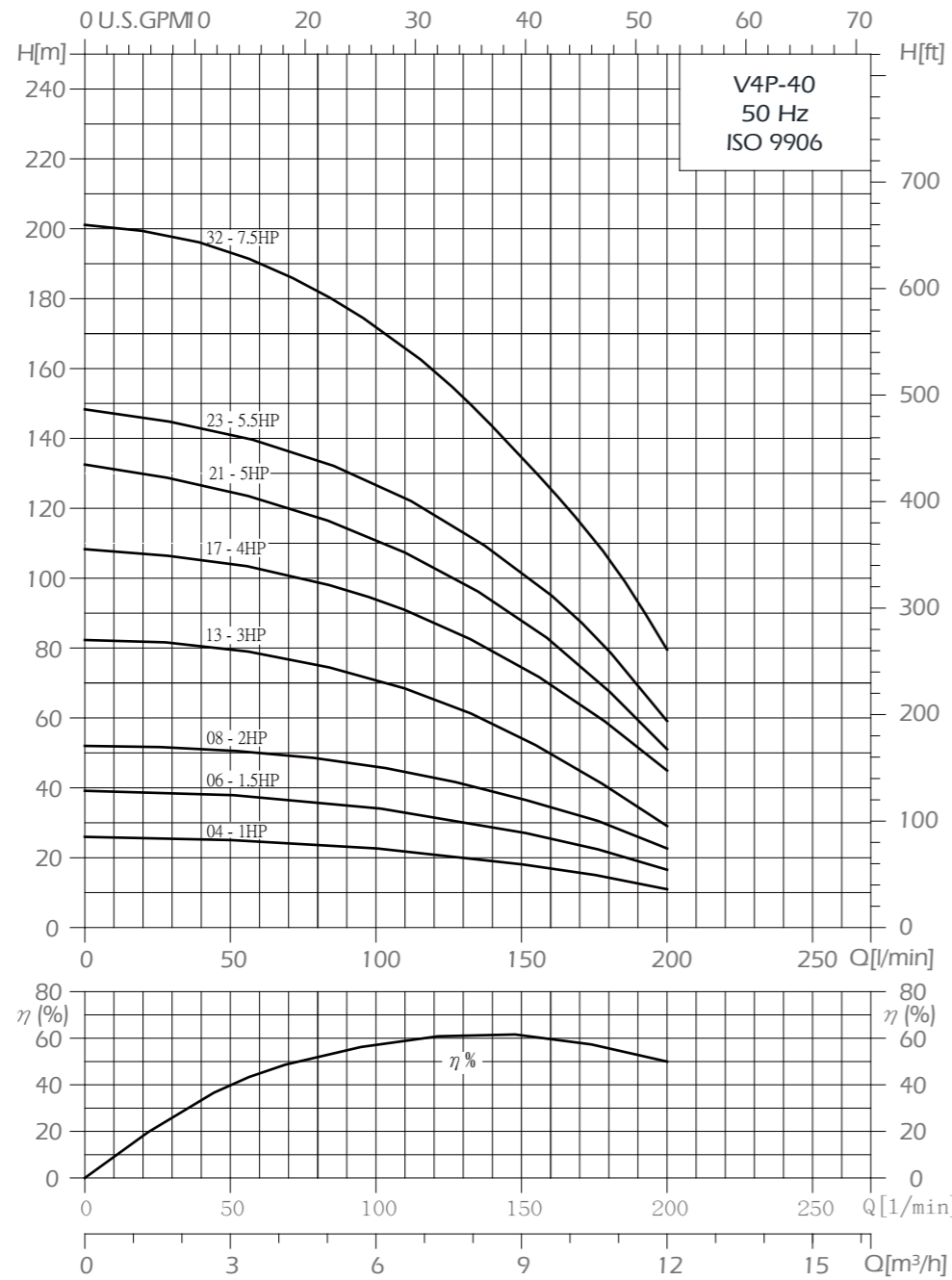
V4P-35 Performance Curves Selection Chart



V4P-35 Selection Chart

Type	Stage	Motor		L/MIN	Q [l/min]											Length	Weight
		HP	KW		0	45	50	60	70	80	90	100	120	140			
V4P-3507	7	1.0	0.75	M³/H	42		36	34	32	30	28	25	19	11	390	3.7	
V4P-3510	10	1.5	1.1		62		53	51	48	45	41	38	29	18	483	4.6	
V4P-3514	14	2.0	1.5		90		77	74	71	68	63	59	46	28	607	5.7	
V4P-3520	20	3.0	2.2		125		107	102	97	92	86	80	62	40	831	7.5	
V4P-3527	27	4.0	3.0		169		145	139	131	123	115	107	84	55	1048	9.6	
V4P-3534	34	5.0	3.7		208		178	170	162	153	143	132	103	66	1257	11.6	
V4P-3536	36	5.5	4.0		221		190	181	173	164	154	143	112	72	1318	12.2	
V4P-3549	49	7.5	5.5		302		257	246	234	222	209	193	151	96	1802	15.9	

V4P-40 Performance Curves Selection Chart

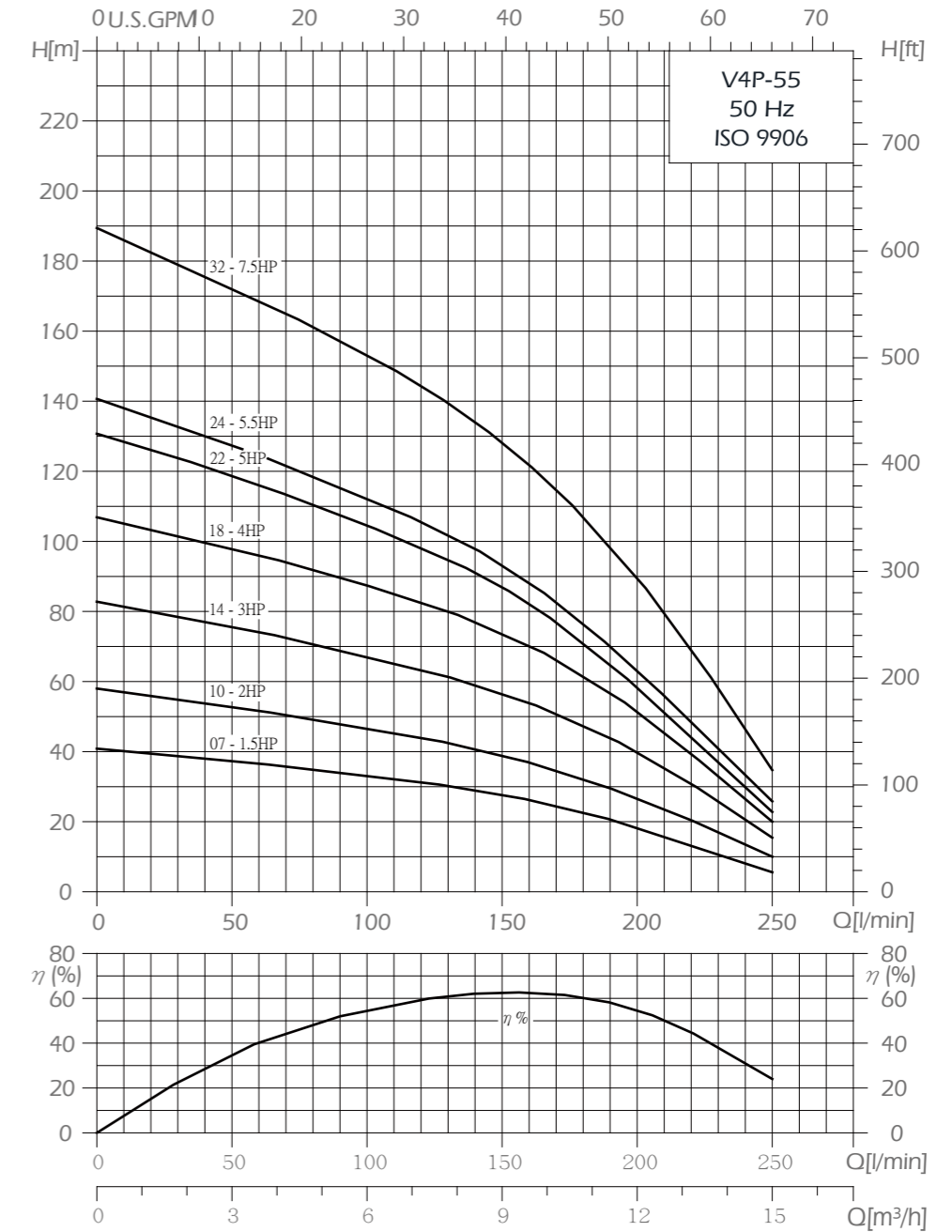


V4P-40 Selection Chart

Type	Stage	Motor		L/MIN	Q												Length	Weight
		HP	KW		0	30	36	4.2	4.8	5.4	6.0	7.2	8.4	9.6	10.8	12		
V4P-4004	4	1.0	0.75	M³/H	26				24	23	22	21	19	17	15	12	294	2.8
V4P-4006	6	1.5	1.1		39				36	35	34	32	29	26	22	17	356	3.4
V4P-4008	8	2.0	1.5		52				48	47	46	43	39	35	29	24	418	4.0
V4P-4013	13	3.0	2.2		82				75	73	71	66	59	50	40	30	573	5.5
V4P-4017	17	4.0	3.0		108				98	96	94	87	79	70	58	46	697	6.6
V4P-4021	21	5.0	3.7		132				117	114	111	103	93	82	68	52	859	7.8
V4P-4023	23	5.5	4.0		148				134	131	127	118	108	95	79	60	921	8.4
V4P-4032	32	7.5	5.5		202				182	178	172	160	143	125	105	80	1238	11.0

All technical information is subject to change without notice.

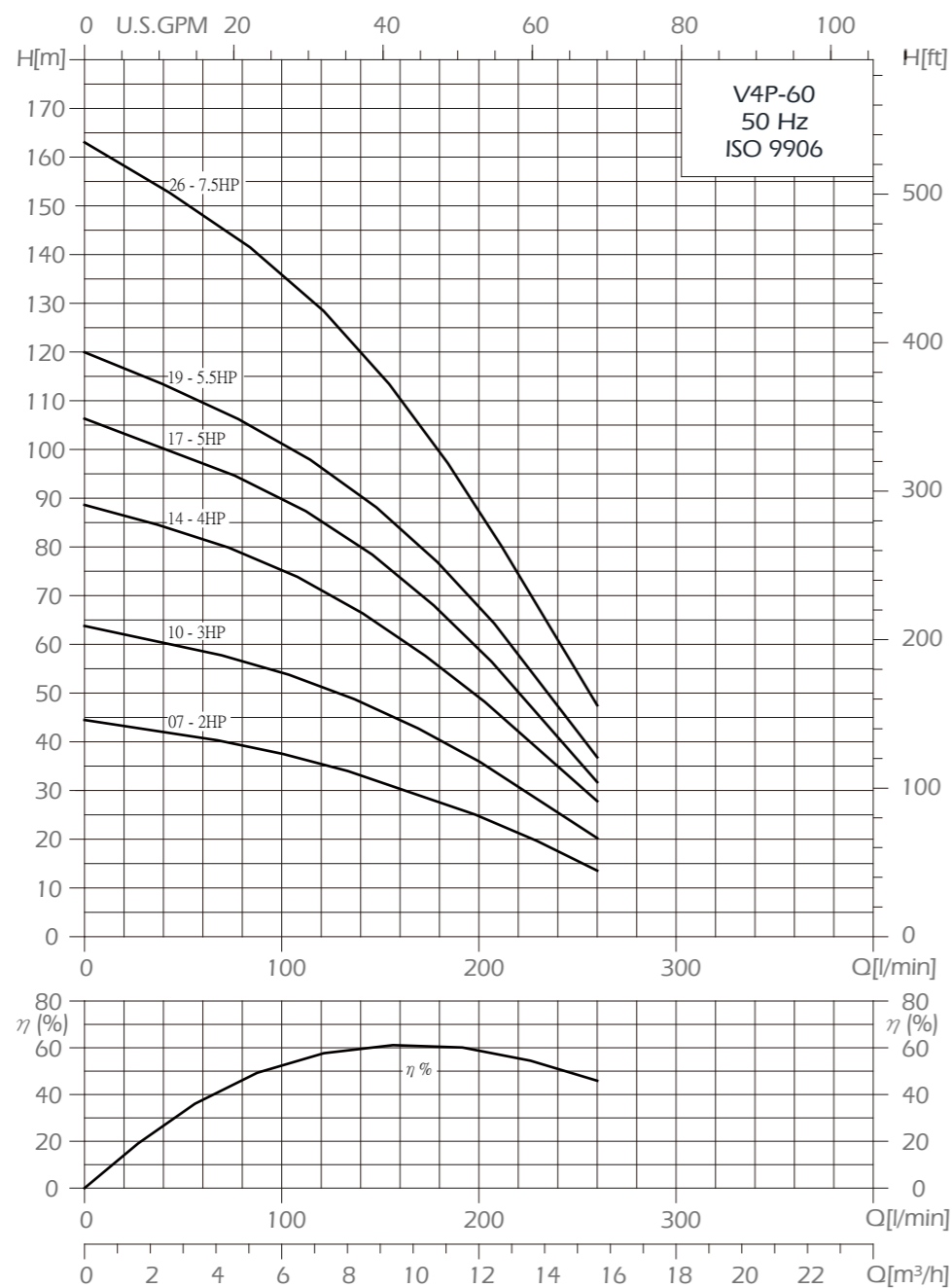
V4P-55 Performance Curves Selection Chart



V4P-55 Selection Chart

Type	Stage	Motor		L/MIN	Q												Length	Weight		
		HP	KW		0	3.6	4.2	4.8	5.4	6.0	7.2	8.4	9.6	10.8	12	13			14.4	mm
V4P-5507	7	1.5	1.1	M³/H	41				35	34	33	32	29	26	23	18	14	8	537	5.3
V4P-5510	10	2.0	1.5		58				49	48	47	44	41	37	32	27	20	13	693	6.7
V4P-5514	14	3.0	2.2		83				71	69	67	63	58	54	48	40	31	20	901	8.5
V4P-5518	18	4.0	3.0		107				92	90	87	83	77	70	62	52	39	26	1147	10.4
V4P-5522	22	5.0	3.7		131				110	107	104	98	91	82	71	58	45	30	1345	12.3
V4P-5524	24	5.5	4.0		141				118	116	113	106	97	88	77	63	49	33	1449	13.2
V4P-5532	32	7.5	5.5		189				162	157	153	144	134	122	107	90	70	47	1866	17

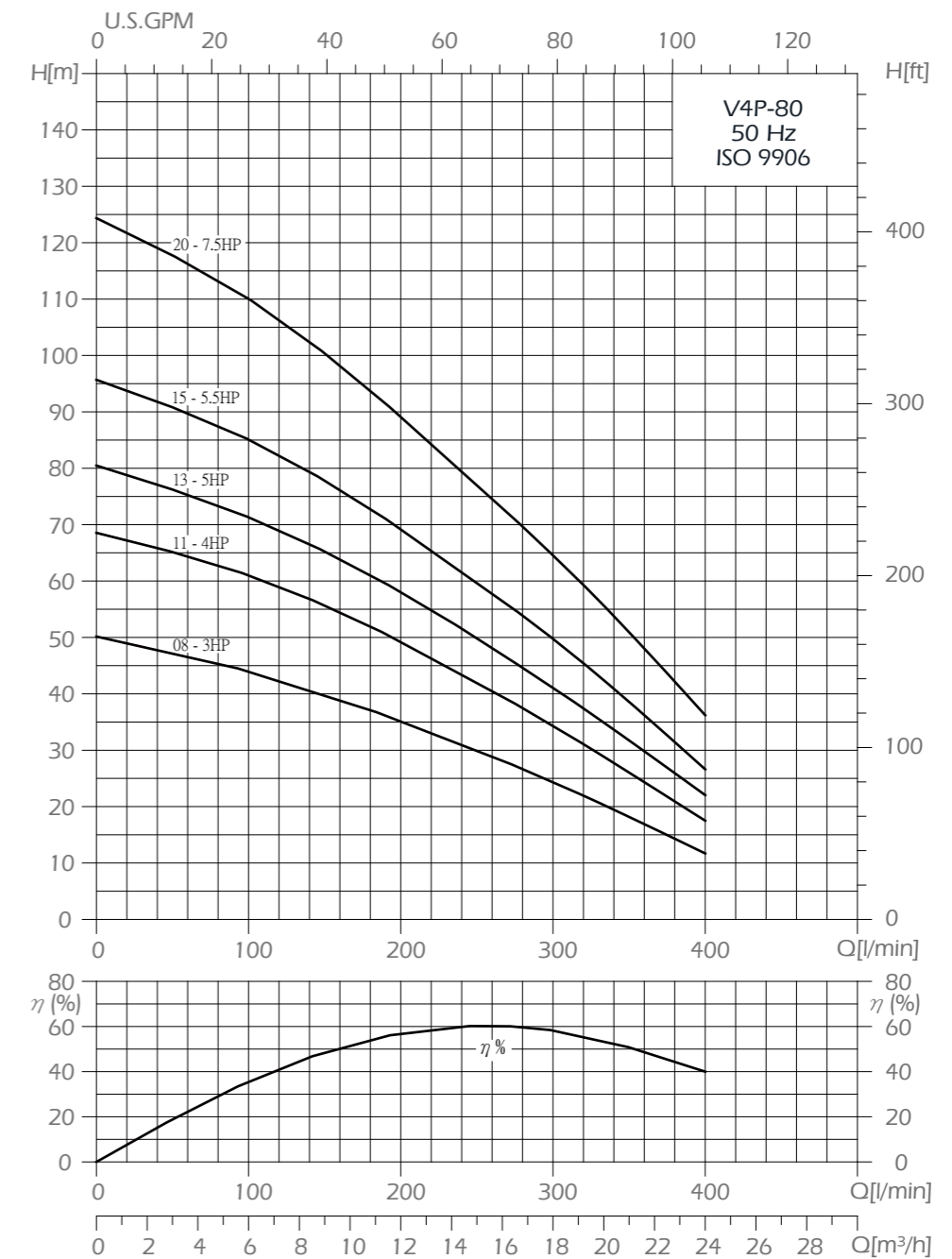
V4P-60 Performance Curves Selection Chart



V4P-60 Selection Chart

Type	Stage	Motor	L/MIN	0	80	90	100	120	140	160	180	200	220	240	260	Length	Weight
		HP KW	M ³ /H	0	4.8	5.4	6.0	7.2	8.4	9.6	10.8	12	13	14.4	16	mm	kg
V4P-6007	7	2.0 1.5		45			37	36	33	31	28	25	22	18	14	534	5.3
V4P-6010	10	3.0 2.2		64			54	52	48	44	41	36	32	26	20	690	6.7
V4P-6014	14	4.0 3.0		89			76	72	67	62	56	49	43	35	28	989	8.6
V4P-6017	17	5.0 3.7		107			90	86	80	74	67	59	51	42	32	1092	10.1
V4P-6019	19	5.5 4.0		120			102	97	91	89	76	68	58	48	37	1195	11
V4P-6026	26	7.5 5.5		163			136	129	120	111	100	87	75	61	48	1559	14.3

V4P-80 Performance Curves Selection Chart

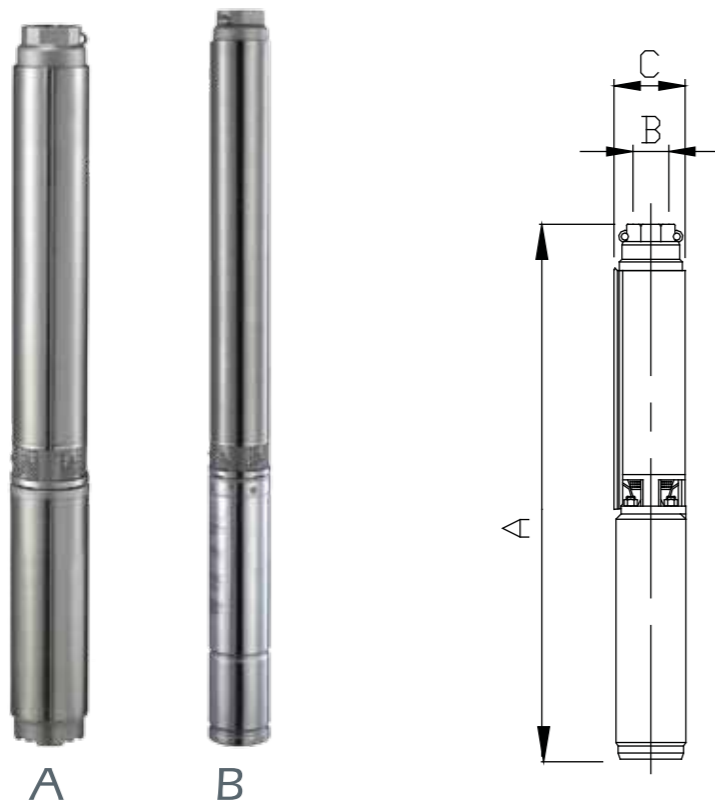


V4P-80 Selection Chart

Type	Stage	Motor	L/MIN	0	140	160	180	200	220	240	260	280	300	320	340	360	380	400	Length	Weight
		HP KW	M ³ /H	0	8.4	9.6	10.8	12	13	14.4	16	17	18	19	20	22	23	24	mm	kg
V4P-8008	8	3.0 2.2		51	41	39	37	35	33	31	29	27	24	22	20	17	14	12	676	6.3
V4P-8011	11	4.0 3.0		70	57	54	52	49	47	44	41	38	34	31	28	24	21	18	880	8.1
V4P-8013	13	5.0 3.7		81	67	64	61	58	55	52	48	45	41	38	34	30	26	22	1013	9.3
V4P-8015	15	5.5 4.0		97	79	76	73	69	66	63	58	54	50	46	41	36	32	27	1149	10.5
V4P-8020	20	7.5 5.5		125	102	98	94	89	84	79	74	70	65	60	54	48	43	37	1489	13.5

All technical information is subject to change without notice.

EVAK V-Series Submersible Pump & Motor (50HZ)



A : VM4P-0526-5.10T
B : VMO4P-6007-5.20S

V4P with Canned motor

Type	Stages	Motor		A mm	B inch	C mm	Weight kg
		HP	P2 KW				
VM4P-0510-5.05S	10	0.5	0.37	586	1 1/4"	98	12.35
VM4P-0513-5.05S	13	0.5	0.37	639		98	12.75
VM4P-0519-5.07S	19	0.75	0.55	773		98	15.05
VM4P-0526-5.10S	26	1	0.75	961		98	17.1
VM4P-0538-5.15S	38	1.5	1.1	1243		98	22.25
VM4P-0510-5.05T	10	0.5	0.37	561		98	10.9
VM4P-0513-5.05T	13	0.5	0.37	614		98	11.3
VM4P-0519-5.07T	19	0.75	0.55	733		98	13
VM4P-0526-5.10T	26	1	0.75	931		98	15.45
VM4P-0538-5.15T	38	1.5	1.1	1183		98	19.05
VM4P-1005-5.05S	5	0.5	0.37	498		98	11.55
VM4P-1007-5.05S	7	0.5	0.37	533		98	11.85
VM4P-1010-5.07S	10	0.75	0.55	616		98	13.65
VM4P-1014-5.10S	14	1	0.75	713		98	15.2
VM4P-1020-5.15S	20	1.5	1.1	878		98	18.95
VM4P-1028-5.15S	28	1.5	1.1	1059		98	20.95
VM4P-1040-5.20S	40	2	1.5	1294		98	24.6

All technical information is subject to change without notice.

EVAK V-Series Submersible Pump & Motor (50HZ)

V4P with Canned motor

Type	Stages	Motor		A mm	B inch	C mm	Weight kg
		HP	P2 KW				
VM4P-1005-5.05T	5	0.5	0.37	473	1 1/4"	98	10.1
VM4P-1007-5.05T	7	0.5	0.37	508		98	10.4
VM4P-1010-5.07T	10	0.75	0.55	576		98	11.6
VM4P-1014-5.10T	14	1	0.75	683		98	13.55
VM4P-1020-5.15T	20	1.5	1.1	818		98	15.75
VM4P-1028-5.15T	28	1.5	1.1	999		98	17.45
VM4P-1040-5.20T	40	2	1.5	1239		98	23.95
VM4P-1305-5.05S	5	0.5	0.37	498		98	11.55
VM4P-1308-5.07S	8	0.75	0.55	581		98	13.25
VM4P-1311-5.10S	11	1	0.75	661		98	14.7
VM4P-1316-5.15S	16	1.5	1.1	809		98	18.25
VM4P-1321-5.20S	21	2	1.5	928		98	20.3
VM4P-1332-5.30S	32	3	2.2	1233		98	25.7
VM4P-1305-5.05T	5	0.5	0.37	473		98	10.1
VM4P-1308-5.07T	8	0.75	0.55	541		98	11.2
VM4P-1311-5.10T	11	1	0.75	631		98	13.05
VM4P-1316-5.15T	16	1.5	1.1	749		98	15.05
VM4P-1321-5.20T	21	2	1.5	873		98	17.45
VM4P-1332-5.30T	32	3	2.2	1157		98	21.75
VM4P-1805-5.05S	5	0.5	0.37	519		98	11.75
VM4P-1807-5.07S	7	0.75	0.55	593	98	13.35	
VM4P-1809-5.10S	9	1	0.75	663	98	14.6	
VM4P-1814-5.15S	14	1.5	1.1	831	98	18.15	
VM4P-1818-5.20S	18	2	1.5	947	98	20	
VM4P-1827-5.30S	27	3	2.2	1251	98	24.8	
VM4P-1805-5.05T	5	0.5	0.37	494	98	10.3	
VM4P-1807-5.07T	7	0.75	0.55	553	98	11.3	
VM4P-1809-5.10T	9	1	0.75	633	98	12.95	
VM4P-1814-5.15T	14	1.5	1.1	771	98	14.95	
VM4P-1818-5.20T	18	2	1.5	892	98	17.15	
VM4P-1827-5.30T	27	3	2.2	1175	98	20.85	
VM4P-1844-5.50T	44	5	3.7	1683.5	98	32.05	

EVAK V-Series Submersible Pump & Motor (50HZ)

V4P with Canned motor

Type	Stages	Motor		A mm	B inch	C mm	Weight kg
		HP	P2 kW				
VM4P-4004-5.10S	4	1	0.75	613	2"	98	14.1
VM4P-4006-5.15S	6	1.5	1.1	735		98	17.45
VM4P-4008-5.20S	8	2	1.5	827		98	19.3
VM4P-4013-5.30S	13	3	2.2	1057		98	24.1
VM4P-4004-5.10T	4	1	0.75	583		98	12.45
VM4P-4006-5.15T	6	1.5	1.1	675		98	14.25
VM4P-4008-5.20T	8	2	1.5	772		98	16.45
VM4P-4013-5.30T	13	3	2.2	981		98	20.15
VM4P-4021-5.50T	21	5	3.7	1414.5		98	30.55
VM4P-4032-5.75T	32	7.5	5.5	1846.5		98	40
VM4P-5507-5.15S	7	1.5	1.1	916		98	19.35
VM4P-5510-5.20S	10	2	1.5	1102		98	22
VM4P-5514-5.30S	14	3	2.2	1385		98	27.1
VM4P-5507-5.15T	7	1.5	1.1	856		98	16.15
VM4P-5510-5.20T	10	2	1.5	1047		98	19.15
VM4P-5514-5.30T	14	3	2.2	1309		98	23.15
VM4P-5522-5.50T	22	5	3.7	1900.5		98	35.05
VM4P-5532-5.75T	32	7.5	5.5	2474.5		98	46
VM4P-6007-5.20S	7	2	1.5	943		98	20.6
VM4P-6010-5.30S	10	3	2.2	1174		98	25.3
VM4P-6007-5.20T	7	2	1.5	888		98	17.75
VM4P-6010-5.30T	10	3	2.2	1098		98	21.35
VM4P-6017-5.50T	17	5	3.7	1647.5		98	32.85
VM4P-6026-5.75T	26	7.5	5.5	2167.5		98	43.3
VM4P-8008-5.30S	8	3	2.2	1160		98	24.9
VM4P-8008-5.30T	8	3	2.2	1084		98	20.95
VM4P-8013-5.50T	13	5	3.7	1568.5		98	32.05
VM4P-8020-5.75T	20	7.5	5.5	2097.5		98	42.5

EVAK V-Series Submersible Pump & Motor (50HZ)

V4P with Oil motor

Type	Stages	Motor		A mm	B inch	C mm	Weight kg
		HP	P2 kW				
VMO4P-0510-5.05S	10	0.5	0.37	670	1 1/4"	98	10.6
VMO4P-0513-5.05S	13	0.5	0.37	723		98	11
VMO4P-0519-5.07S	19	0.75	0.55	846		98	12.9
VMO4P-0526-5.10S	26	1	0.75	1022		98	14.6
VMO4P-0538-5.15S	38	1.5	1.1	1269		98	18.2
VMO4P-0510-5.05T	10	0.5	0.37	654		98	10
VMO4P-0513-5.05T	13	0.5	0.37	707		98	10.4
VMO4P-0519-5.07T	19	0.75	0.55	827		98	12.1
VMO4P-0526-5.10T	26	1	0.75	1007		98	14
VMO4P-0538-5.15T	38	1.5	1.1	1244		98	17.1
VMO4P-1005-5.05S	5	0.5	0.37	582		98	9.8
VMO4P-1007-5.05S	7	0.5	0.37	617		98	10.1
VMO4P-1010-5.07S	10	0.75	0.55	689		98	11.5
VMO4P-1014-5.10S	14	1	0.75	774		98	12.7
VMO4P-1020-5.15S	20	1.5	1.1	904		98	14.9
VMO4P-1028-5.20S	28	2	1.5	1120		98	18.4
VMO4P-1040-5.30S	40	3	2.2	1380		98	23.3
VMO4P-1005-5.05T	5	0.5	0.37	566		98	9.2
VMO4P-1007-5.05T	7	0.5	0.37	601		98	9.5
VMO4P-1010-5.07T	10	0.75	0.55	670		98	10.7
VMO4P-1014-5.10T	14	1	0.75	759		98	12.1
VMO4P-1020-5.15T	20	1.5	1.1	879		98	13.8
VMO4P-1028-5.20T	28	2	1.5	1085		98	16.9
VMO4P-1040-5.30T	40	3	2.2	1325		98	20.9
VMO4P-1305-5.05S	5	0.5	0.37	582		98	9.8
VMO4P-1308-5.07S	8	0.75	0.55	654		98	11.1
VMO4P-1311-5.10S	11	1	0.75	722		98	12.2
VMO4P-1316-5.15S	16	1.5	1.1	835		98	14.2
VMO4P-1321-5.20S	21	2	1.5	959		98	16.5
VMO4P-1332-5.30S	32	3	2.2	1244		98	21.1
VMO4P-1305-5.05T	5	0.5	0.37	566	98	9.2	
VMO4P-1308-5.07T	8	0.75	0.55	635	98	10.3	
VMO4P-1311-5.10T	11	1	0.75	707	98	11.6	
VMO4P-1316-5.15T	16	1.5	1.1	810	98	13.1	
VMO4P-1321-5.20T	21	2	1.5	924	98	15	
VMO4P-1332-5.30T	32	3	2.2	1189	98	18.7	
VMO4P-1805-5.05S	5	0.5	0.37	603	98	10	
VMO4P-1807-5.07S	7	0.75	0.55	666	98	11.2	

All technical information is subject to change without notice.

EVAK V-Series Submersible Pump & Motor (50HZ)

V4P with Oil motor

Type	Stages	Motor		A mm	B inch	C mm	Weight kg	
		HP	P2 KW					
VMO4P-1809-5.10S	9	1	0.75	724	1 1/4"	98	12.1	
VMO4P-1814-5.15S	14	1.5	1.1	857		98	14.1	
VMO4P-1818-5.20S	18	2	1.5	978		98	16.2	
VMO4P-1827-5.30S	27	3	2.2	1262		98	20.2	
VMO4P-1805-5.05T	5	0.5	0.37	587		98	9.4	
VMO4P-1807-5.07T	7	0.75	0.55	647		98	10.4	
VMO4P-1809-5.10T	9	1	0.75	709		98	11.5	
VMO4P-1814-5.15T	14	1.5	1.1	832		98	13	
VMO4P-1818-5.20T	18	2	1.5	943		98	14.7	
VMO4P-1827-5.30T	27	3	2.2	1207		98	17.8	
VMO4P-1835-5.40T	35	4	3	1450		98	23.1	
VMO4P-1848-5.55T	48	5.5	4	1860		98	29.4	
VMO4P-4004-5.10S	4	1	0.75	674		2"	98	11.6
VMO4P-4006-5.15S	6	1.5	1.1	761			98	13.4
VMO4P-4008-5.20S	8	2	1.5	858	98		15.5	
VMO4P-4013-5.30S	13	3	2.2	1068	98		19.5	
VMO4P-4004-5.10T	4	1	0.75	659	98		11	
VMO4P-4006-5.15T	6	1.5	1.1	736	98		12.3	
VMO4P-4008-5.20T	8	2	1.5	823	98		14	
VMO4P-4013-5.30T	13	3	2.2	1013	98		17.1	
VMO4P-4017-5.40T	17	4	3	1213	98		21.8	
VMO4P-4023-5.55T	23	5.5	4	1528	98		27.9	
VMO4P-4032-5.75T	32	7.5	5.5	1921	98		34.1	
VMO4P-5507-5.15S	7	1.5	1.1	942	98		15.3	
VMO4P-5510-5.20S	10	2	1.5	1133	98		18.2	
VMO4P-5514-5.30S	14	3	2.2	1396	98		22.5	
VMO4P-5507-5.15T	7	1.5	1.1	917	98		14.2	
VMO4P-5510-5.20T	10	2	1.5	1098	98		16.7	
VMO4P-5514-5.30T	14	3	2.2	1341	98		20.1	
VMO4P-5518-5.40T	18	4	3	1663	98		25.6	
VMO4P-5524-5.55T	24	5.5	4	2056	98		32.7	
VMO4P-5532-5.75T	32	7.5	5.5	2549	98		40.1	
VMO4P-6007-5.20S	7	2	1.5	974	98		16.8	
VMO4P-6010-5.30S	10	3	2.2	1185	98		20.7	
VMO4P-6007-5.20T	7	2	1.5	939	98		15.3	
VMO4P-6010-5.30T	10	3	2.2	1130	98		18.3	
VMO4P-6014-5.40T	14	4	3	1505	98	23.8		
VMO4P-6019-5.55T	19	5.5	4	1802	98	30.5		
VMO4P-6026-5.75T	26	7.5	5.5	2242	98	37.4		

All technical information is subject to change without notice.

EVAK V-Series Submersible Pump & Motor (50HZ)

V4P with Oil motor

Type	Stages	Motor		A mm	B inch	C mm	Weight kg
		HP	P2 KW				
VMO4P-8008-5.30S	8	3	2.2	1171	2"	98	20.3
VMO4P-8008-5.30T	8	3	2.2	1116		98	17.9
VMO4P-8011-5.40T	11	4	3	1396		98	23.3
VMO4P-8015-5.55T	15	5.5	4	1756		98	30
VMO4P-8020-5.75T	20	7.5	5.5	2172		98	36.6